

iC-MU200 MAGNETIC OFF-AXIS POSITION ENCODER - POLE WIDTH 2.00MM



Rev A3, Page 1/66

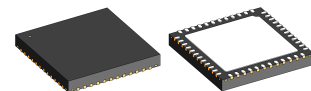
FEATURES

- ◆ Integrated Hall sensors for two-track scanning
- ◆ Hall sensors optimized for 2.00 mm pole width (master track)
- ◆ Signal conditioning for offset, amplitude, and phase
- ◆ Sine/digital real-time conversion with 12-bit resolution (14-bit filtered)
- ◆ 2-track nonius absolute value calculation up to 18 bits
- ◆ 16, 32, or 64 pole pairs per measurement distance
- ◆ Enlargement of measurement distance with second iC-MU200
- ◆ Synchronization of external multiturn systems
- ◆ Configuration from an external EEPROM using a multimaster I2C interface
- ◆ Microcontroller-compatible serial interface (SPI, BiSS, SSI)
- ◆ Incremental quadrature signals with an index (ABZ)
- ◆ FlexCount®: scalable resolution from 1 up to 65536 CPR
- ◆ Commutation signals for motors from 1 up to 16 pole pairs (UVW)

APPLICATIONS

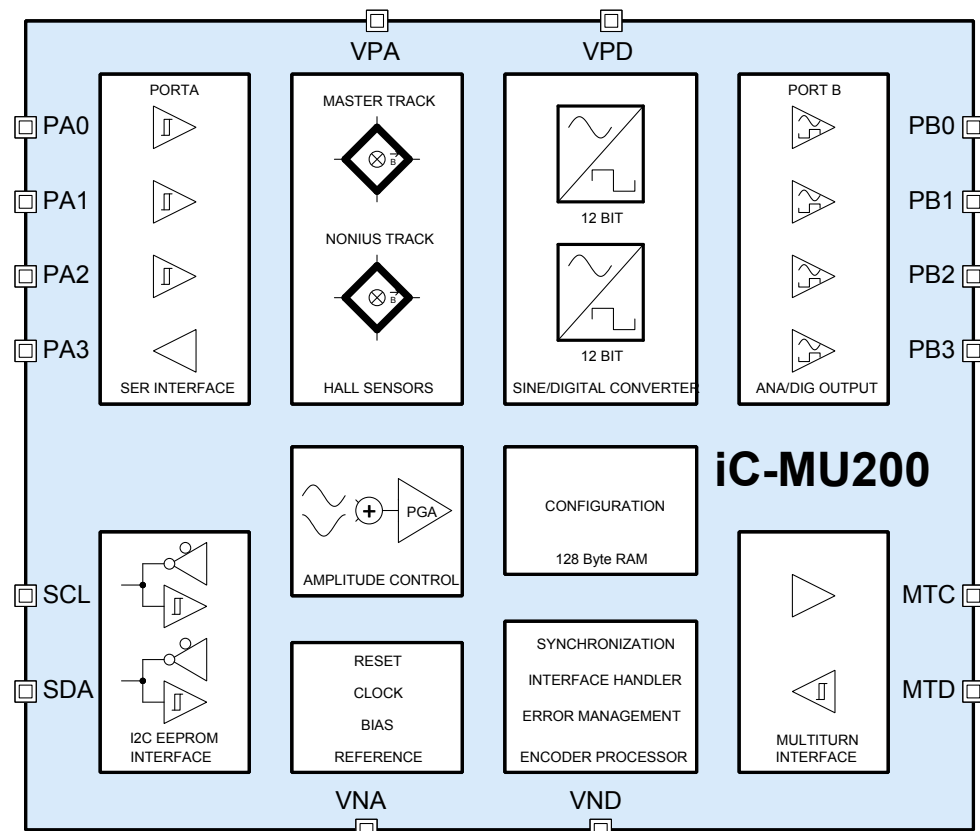
- ◆ Rotative absolute encoders
- ◆ Linear absolute scales
- ◆ Singleturn and multiturn encoders
- ◆ Motor feedback encoders
- ◆ BLDC motor commutation
- ◆ Hollow shaft encoder
- ◆ Multi-axis measurement systems

PACKAGES



QFN48
7 mm x 7 mm
RoHS compliant

BLOCK DIAGRAM



DESCRIPTION

iC-MU200 is used for magnetic off-axis position definition with integrated Hall sensors. By scanning two separate channels i.e. the master and nonius track the device can log an absolute position within one mechanical revolution. The chip conditions the sensor signals and compensates for typical signal errors.

The internal 12-bit sine/digital converters generate two position words that supply high-precision position data within one sine-period. The integrated nonius calculation engine calculates the absolute position within one mechanical revolution and synchronizes this with the master track position word. Position data can be transmitted serially, incrementally, or analog through two ports in various modes of operation. Commutation signals for brushless DC (BLDC) motors with up to 16 pole pairs are derived from the absolute position and supplied through a 3-pin interface.

During startup the device loads a CRC-protected configuration from an external EEPROM.

After the device has been reset an optional external multiturn is read in an synchronized with the inter-

nal position data. During operation the position is cyclically checked.

Note: Parameters defined in the datasheet represent supplier's attentive tests and validations, but - by principle - do not imply any warranty or guarantee as to their accuracy, completeness or correctness under all application conditions. In particular, setup conditions, register settings and power-up have to be thoroughly validated by the user within his specific application environment and requirements (system responsibility).

The performance of iC-MU200 in application is impacted by system conditions like quality of the magnetic target and its adjustment, field strength and stray fields, temperature and mechanical stress and initial calibration.

Due to an enlarged pitch of the Hall sensors and the related chip size the iC-MU200 within its QFN48-7x7 package sets thorough demands for system conditions.

CONTENTS

PACKAGING INFORMATION	5	CONFIGURABLE I/O INTERFACE	28
PIN CONFIGURATION QFN48-7x7 ⁴ (topview)	5	Setting the interfaces	28
PACKAGE DIMENSIONS QFN48-7x7*	6	Serial interface:	
ABSOLUTE MAXIMUM RATINGS	7	Configuring the data format and data length	29
THERMAL DATA	7	BiSS C interface	31
ELECTRICAL CHARACTERISTICS	8	SSI interface	32
OPERATING REQUIREMENTS	10	SPI interface: general description	34
Multiturn Interface	10	SPI interface: Command ACTIVATE	34
I/O Interface	11	SPI interface: Command SDAD transmission	35
PRINCIPLE OF MEASUREMENT	13	SPI interface: Command SDAD status	36
Rotative measuring system	13	SPI interface: Command Read REGISTER (single)	36
Linear measuring system	13	SPI interface: Command Write REGISTER (single)	37
CONFIGURATION PARAMETERS	14	SPI interface: Command REGISTER status/data	37
REGISTER ASSIGNMENTS (EEPROM)	16	CONVERTER AND NONIUS CALCULATION	39
Register assignment (EEPROM)	16	Converter principle	39
Special BiSS registers	18	Synchronization mode	39
SIGNAL CONDITIONING FOR MASTER AND NONIUS CHANNELS: x = M,N	19	MT INTERFACE	42
Bias current source	19	Configuration of the Multiturn interface	42
Gain settings	19	Construction of a Multiturn system with two iC-MU200	43
Offset compensation	20	MT Interface Daisy Chain	45
Phase adjustment	20	INCREMENTAL OUTPUT ABZ, STEP/DIRECTION AND CW/CCW	46
ANALOG SIGNAL CONDITIONING FLOW: x = M,N	22	UVW COMMUTATION SIGNALS	49
1. Conditioning the BIAS current	22	REGISTER ACCESS THROUGH SERIAL INTERFACE (SPI AND BISS)	50
2. Positioning of the sensor	22	Register mapping Configuration, Bank 0: Addresses 0x00-0x3F	50
3.a Test modes analog master and analog nonius	22	Register mapping static part: Addresses 0x40-0xBF	52
3.b Test mode CNV_x	22	Address sections/Register protection level	54
4. Track offset SPON	23	Overview Register access: memory mapping, Register protection levels	55
EEPROM AND I2C INTERFACE	24	STATUS REGISTER AND ERROR MONITORING	56
Basic interface features	24	Status register	56
EEPROM device requirements	24	Error and warning bit configuration	56
CRC checksums	24	COMMAND REGISTER	58
STARTUP BEHAVIOR	26		

iC-MU200 MAGNETIC OFF-AXIS
POSITION ENCODER - POLE WIDTH 2.00MM



Rev A3, Page 4/66

Description of implemented commands	58	Preset function	62
Configurable NPRES Pin	61	DESIGN REVIEW: Notes On Chip Functions	64
POSITION OFFSET VALUES AND PRESET FUNCTION	62	REVISION HISTORY	65

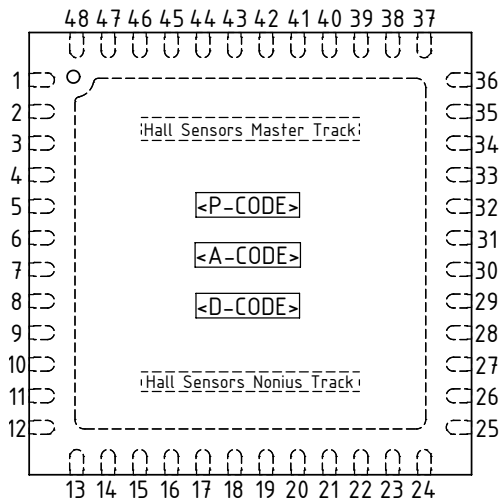
iC-MU200 MAGNETIC OFF-AXIS POSITION ENCODER - POLE WIDTH 2.00MM



Rev A3, Page 5/66

PACKAGING INFORMATION

PIN CONFIGURATION QFN48-7x7⁴⁾ (topview)



PIN FUNCTIONS

No.	Name	Function
1-2	d.n.c.	do not connect, reserved
3	SCL	EEPROM interface, clock
4	SDA	EEPROM interface, data
5	VPA	+4.5V...+5.5V analog supply voltage
6	VNA ¹⁾	Analog Ground
7	PB0	Port B, Pin 0: Digital I/O, analog output
8	PB1	Port B, Pin 1: Digital I/O, analog output
9	PB2	Port B, Pin 2: Digital I/O, analog output
10	PB3	Port B, Pin 3: Digital I/O, analog output
11-26	d.n.c.	do not connect, reserved
27	PA3	Port A, Pin 3: Digital I/O
28	PA2	Port A, Pin 2: Digital I/O
29	PA1	Port A, Pin 1: Digital I/O
30	PA0	Port A, Pin 0: Digital I/O
31	VND ¹⁾	Digital ground
32	VPD	+4.5V...+5.5V digital supply voltage
33	MTD	Multiturn interface, data input
34	MTC	Multiturn interface, clock output
35-48	d.n.c.	do not connect, reserved
	BP ²⁾	Backside Pad

IC top marking: <P-CODE> = product code, <A-CODE> = assembly code (subject to changes), <D-CODE> = date code (subject to changes);

1) Analog (VNA) and digital grounds (VND) have to be connected low ohmic on the PCB.

2) The backside pad on the underside of the package should be appropriately connected to VNA/VND for better heat dissipation (ground plane).

3) Only the Pin 1 mark on the front or reverse is determinative for package orientation (<P-CODE>, <A-CODE>, <D-CODE> are subject to change).

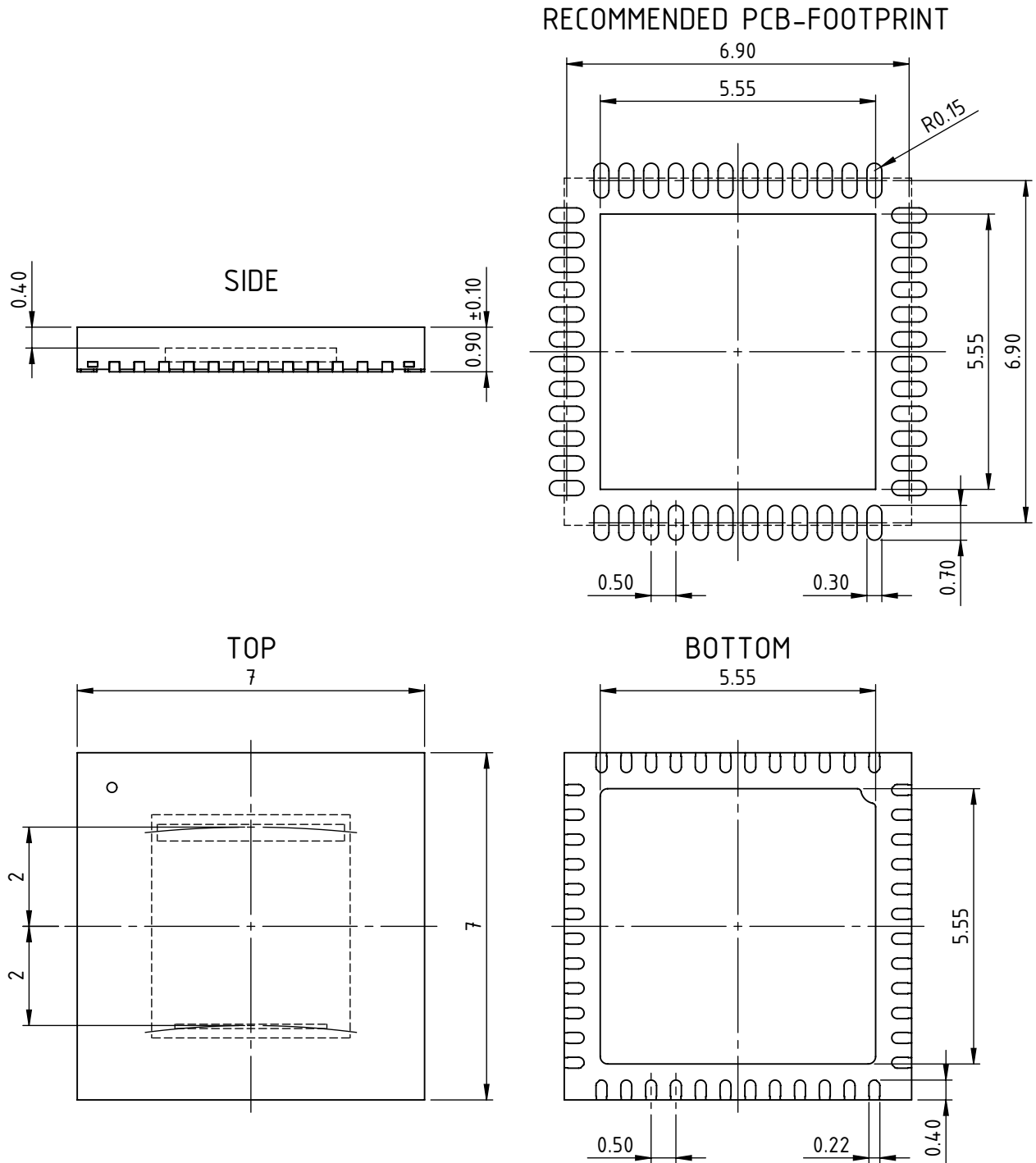
4) Please also see Design Review item No. 6.

iC-MU200 MAGNETIC OFF-AXIS POSITION ENCODER - POLE WIDTH 2.00MM



Rev A3, Page 6/66

PACKAGE DIMENSIONS QFN48-7x7*



All dimensions given in mm. Tolerances of form and position according to JEDEC MO-220.
Positional tolerance of sensor pattern: $\pm 0.10\text{mm}$ / $\pm 1^\circ$ (with respect to center of backside pad).

dra_qfn48-7x7-2_mu200_0_pack_1, 8:1

*) Please also see Design Review item No. 6.

iC-MU200 MAGNETIC OFF-AXIS POSITION ENCODER - POLE WIDTH 2.00MM



Rev A3, Page 7/66

ABSOLUTE MAXIMUM RATINGS

Maximum ratings do not constitute permissible operating conditions; functionality is not guaranteed. Exceeding the maximum ratings can damage the device

Item No.	Symbol	Parameter	Conditions	Min.		Max.		Unit
G001	V()	Voltage at VPA, VPD		-0.3		6		V
G002	I()	Current in VPA		-10		20		mA
G003	I()	Current in VPD		-10		100		mA
G004	V()	Voltage at all pins except VPD		-0.3		VPD+0.3		V
G005	I()	Current in all I/O pins	DC current Pulse width < 10 µs	-10		10		mA
				-100		100		mA
G006	Vd()	ESD Susceptibility at all pins	HBM, 100 pF discharged through 1.5 kΩ			2		kV
G007	Ptot	Permissible Power Dissipation				400		mW
G008	Tj	Chip-Temperature		-40		150		°C
G009	Ts	Storage Temperature Range		-40		150		°C

THERMAL DATA

Operating conditions: VPA = VPD = 5 V ±10%

Item No.	Symbol	Parameter	Conditions	Min.			Max.			Unit
					Typ.					
T01	Ta*	Operating Ambient Temperature Range	QFN48-7x7	-40				115		°C
T02	Rthja	Thermal Resistance Chip to Ambient	QFN48-7x7 on PCB according to JESD51			30				K/W

*) Please also see Design Review item No. 6.

iC-MU200 MAGNETIC OFF-AXIS POSITION ENCODER - POLE WIDTH 2.00MM



Rev A3, Page 8/66

ELECTRICAL CHARACTERISTICS

Operating conditions: VPD = VPA = 5 V ±10%, Tj = -40...125°C, IBP calibrated to 200 µA, reference is VNA = VND, unless otherwise stated

Item No.	Symbol	Parameter	Conditions				Unit
				Min.	Typ.	Max.	
Total Device							
101	V(VPA, VPD)	Permissible Supply Voltage	VPA = VPD	4.5	5	5.5	V
103	I(VPA)	Analog Supply Current in VPA		8	13	16	mA
104	I(VPD)	Digital Supply Current in VPD		20	40	65	mA
105	Vc(hi)	Clamp Voltage hi at all pins	Vc(hi) = V() - V(VPD), I() = +1 mA	0.3		1.6	V
106	Vc(lo)	Clamp Voltage lo at all pins	I() = -1 mA	-1.6		-0.3	V
107	ton()	Power-Up Time	VPD > 4 V, EEPROM Data valid after first I ² C read in		20		ms
108	ΔV/Δt	Power-Up Slew Rate at VPA = VPD	V() = 3.0 V → 4.5 V	50			V/s
109	CVPA, CVPD	Required Backup Capacitors at VPA, VPD	placed near by pin, recommended low ESR		100		nF
Hall Sensors							
201	Hext	Operating Magnetic Field Strength	at surface of chip	15		100	kA/m
202	f()	Operating Magnetic Field Frequency				7	kHz
203	rpm	Permissible rotation of pole wheel with FRQ_CNV=lo	16 pole pairs 32 pole pairs 64 pole pairs (note: for incremental part see table 84)			24000 12000 6000	rpm rpm rpm
204	vmax	Permissible movement speed				20	m/s
205	hpac	Sensor-to-Package-Surface Distance			400		µm
Assembly Tolerances							
301	TOLrad	Permissible Radial Displacement				0.5	mm
302	TOLtan	Permissible Tangential Displacement				0.5	mm
303	WOBrad	Permissible Excentricity of Code Disc	MPC = 0x4 MPC = 0x5, 0x6			0.06 0.1	mm mm
Bias Current Source, Reference Voltage, Power On Reset, Clock Oscillator							
401	Vbg	Bandgap Voltage	TEST = 0x1F	1.18	1.24	1.36	V
402	Vref	Reference Voltage	TEST = 0x1F	45	50	55	%VPA
403	IBM	Reference Current	CIBM = 0x0 CIBM = 0xF IBM calibrated	-370 -220	-200	-100 -180	µA µA µA
404	VPDon	Turn-on Threshold VPD (power on release)	increasing voltage at V(VPD)	3.65	3.9	4.3	V
405	VPDoff	Turn-off Threshold VPD (power down reset)	decreasing voltage at V(VPD)	3	3.5	3.8	V
406	VPDhys	Hysteresis	VPDhys = VPDon - VPDoff	0.3			V
407	fosc	Clock Frequency	TEST=0x26, fosc = 64*f(HCLK), IBM aligned	22	26	32	MHz
408	tchk	Max. Time For Internal Cyclic Checks	NCHK_NON = 0x0, CHK_MT = 0x1, NCHK_CRC = 0x0, MODE_MT = 0xF (18 bit), SBL_MT = 0x3 (4 bit), ESSI_MT = 0x1 (Error bit)			6	ms
Signal Conditioning Master and Nonius Track (x = M, N)							
501	GC	Adjustable Gain Range	GC_x = 0x0 GC_x = 0x1 GC_x = 0x2 GC_x = 0x3		4.4 7.7 12.4 20.6		
502	GF	Adjustable Fine Gain Range	GF_x = 0x00 GF_x = 0x20 GF_x = 0x3F		1 4.4 19		

iC-MU200 MAGNETIC OFF-AXIS POSITION ENCODER - POLE WIDTH 2.00MM



Rev A3, Page 9/66

ELECTRICAL CHARACTERISTICS

Operating conditions: VPD = VPA = 5 V ±10%, Tj = -40...125°C, IBP calibrated to 200 µA, reference is VNA = VND, unless otherwise stated

Item No.	Symbol	Parameter	Conditions				Unit
				Min.	Typ.	Max.	
503	GX	Adjustable Gain(SIN)/Gain(COS)	GX_x = 0x00 GX_x = 0x3F GX_x = 0x7F	9	0 10 -9	-8.5	% % %
504	VOS	Adjustable Offset Calibration	VOS_x = 0x3F VOS_x = 0x7F	60	70 -70	-60	mV mV
505	PHM	Adjustable Phase Calibration Master Track	PH_M = 0x3F PH_M = 0x7F PH_M = 0xBF PH_M = 0xFF	8 15.5	10 -10 18 -18	-8 -15.5	° ° ° °
506	PHN	Adjustable Phase Calibration Nonius Track	PH_N = 0x3F PH_N = 0x7F PH_N = 0xBF PH_N = 0xFF	11.25 20.5	13 -13 23 -23	-11.25 -20.5	° ° ° °
507	VampI	Signal Level Controller	chip internally, VampI = Vpp(PSINx)+Vpp(NSINx), ENAC = 1	3.2	4	4.8	Vpp
508	Vae()lo	Signal Monitoring Threshold lo	Vae()lo = Vpp(PSINx)+Vpp(NSINx)	1.2		2.8	Vpp
509	Vae()hi	Signal Monitoring Threshold hi	Vae()hi = Vpp(PSINx)+VPP(NSINx)	5		6.3	Vpp
Sine-To-Digital Conversion							
601	AAabs	Absolute Angular Accuracy	ideal input signals, reference to 12 Bit of sine period			2	LSB
602	AArel	Relative Angular Accuracy	FILT = 0x2 FILT = 0x6 ideal input signals, reference to 12 Bit of sine period, f = 1 KHz			2 1/4	LSB LSB
Nonius Calculation							
701	Pnon	Permissible Track deviation Master vs. Nonius	16 periods, MPC = 0x4 32 periods, MPC = 0x5 64 periods, MPC = 0x6 referenced to 360° of Master sine period			10 5 2.5	DEG DEG DEG
Digital Output Port PA1..3, MTC, SCL, SDA							
801	Vs()hi	Saturation Voltage hi Pins PA1..3, MTC	Vs()hi = V(VPD) - V(), I() = -4 mA			0.4	V
802	Vs()lo	Saturation Voltage lo	I() = 4 mA versus VND			0.4	V
803	Isc()hi	Short-Circuit Current hi Pins PA1..3, MTC	V() = V(VND), 25 °C	-90	-50		mA
804	Isc()lo	Short-Circuit Current lo	V() = V(VPD), 25 °C		50	90	mA
805	tr()	Rise Time	CL = 50 pF			60	ns
806	tf()	Fall Time	CL = 50 pF			60	ns
807	Iik(PA3)	Leakage Current at PA3	MODEA=0, PA0 = hi	-5		5	µA
808	fclk(SCL)	Frequency at SCL	normal mode during start-up		80 70		kHz kHz
Digital Input Port PA0..2, MTD, SCL, SDA							
901	Vt()hi	Threshold Voltage hi				2	V
902	Vt()lo	Threshold Voltage lo		0.8			V
903	Vt()hys	Hysteresis	Vt()hys = Vt()hi - Vt()lo	150			mV
904	Ipu()	Pull-Up Current Pins PA0..2, MTD	V() = 0 V ... V(VPD)-1 V	-60	-30	-6	µA
905	Ipu()	Pull-Up Current Pins SCL, SDA	V() = 0 V ... V(VPD)-1 V	-800	-300	-80	µA
906	f()	Permissible Input Frequency				10	MHz
Analog/Digital Output Port PB0..2							
A01	I()buf	Analog Driver Current		-1		1	mA
A02	fg()ana	Analog Bandwidth			100		kHz
A03	Isc()hi,ana	Analog Short-Circuit Current hi	V() = V(VND)			-1.5	mA
A04	Isc()lo,ana	Analog Short-Circuit Current lo	V() = V(VPD)	1.5			mA
A05	Rout(),ana	Output Resistor, Analog Mode	I() = 1 mA			500	Ω

ELECTRICAL CHARACTERISTICS

Operating conditions: VPD = VPA = 5 V ±10%, Tj = -40...125°C, IBP calibrated to 200 µA, reference is VNA = VND, unless otherwise stated

Item No.	Symbol	Parameter	Conditions				Unit
				Min.	Typ.	Max.	
A06	Vs() _{hi,dig}	Digital Saturation Voltage hi	Vs() = V(VPD) - V(), I() = -4 mA			0.5	V
A07	Vs() _{lo,dig}	Digital Saturation Voltage lo	I() = 4 mA			0.5	V
A08	Isc() _{hi,dig}	Short-Circuit Current hi	V() = V(VPD)	-60	-35		mA
A09	Isc() _{lo,dig}	Short-Circuit Current lo	V() = V(VND)		45	70	mA
A10	tr()	Rise Time	CL = 50 pF			50	ns
A11	tf()	Fall Time	CL = 50 pF			50	ns
A12	I _{lk} ()	Leakage Current	MODEB = 0x7	-5		5	µA
Analog/Digital Output Port PB3							
B01	I() _{buf}	Analog Driver Current		-1		1	mA
B02	fg() _{ana}	Analog Bandwidth			100		kHz
B03	Isc() _{hi,ana}	Analog Short-Circuit Current hi	V() = V(VND)			-1.5	mA
B04	Isc() _{lo,ana}	Analog Short-Circuit Current lo	V() = V(VPD)	1.5			mA
B05	Rout() _{ana}	Output Resistor, Analog Mode	I() = 1 mA			500	Ω
B06	Vs() _{lo,dig}	Digital Saturation Voltage lo	I() = 4 mA			0.5	V
B07	Isc() _{lo,dig}	Short-Circuit Current lo	V() = V(VND)		45	70	mA
B08	tr()	Rise Time	CL = 50 pF			50	ns
B09	tf()	Fall Time	CL = 50 pF			50	ns
B10	I _{pu} (PB3)	Pull-Up Current	V() = 0 V...V(VPD) - 1 V, MODEB = 0x0..0x3	-60	-30	-6	µA
B11	I _{lk} ()	Leakage Current	MODEB = 0x7	-5		5	µA

OPERATING REQUIREMENTS: Multiturn Interface

Item No.	Symbol	Parameter	Conditions			Unit
				Min.	Max.	
Multiturn Interface (Figure 1)						
I001	t _{MTC}	Clock Period		6.4		µs
I002	t _{sMD}	Setup Time: Data valid before MTC hi→lo		50		ns
I003	t _{hMD}	Hold Time: Data stable after MTC hi→lo		50		ns
I004	t _{tos}	Timeout		20		µs
I005	t _{cycle}	Cycle Time	CHK_MT=1	1	5	ms

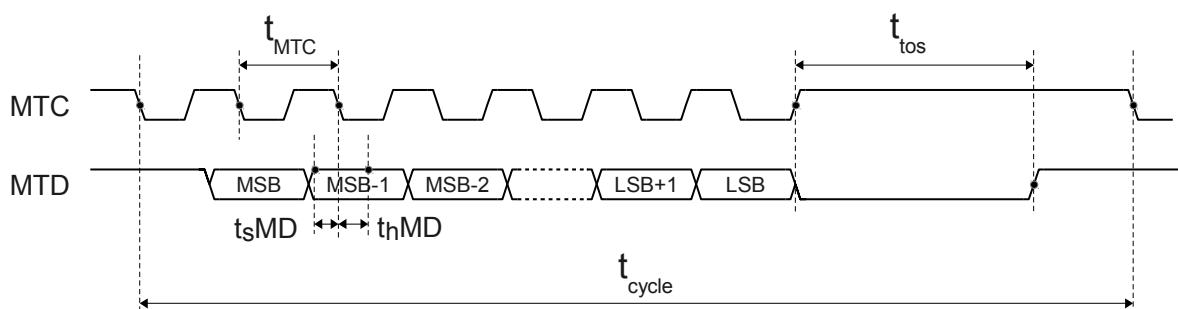


Figure 1: Timing multiturn interface, MODE_MT/=0

OPERATING REQUIREMENTS: I/O Interface

Item No.	Symbol	Parameter	Conditions	Min. Max.		Unit
				Min.	Max.	
SPI-Interface (Figure 2)						
I101	t_{C1}	Permissible Clock Period	see Elec. Char. No.: 906	1/f()		ns
I102	t_{W1}	Wait Time: between NCS lo \rightarrow hi and NCS hi \rightarrow lo		500		ns
I103	t_{S1}	Setup Time: NCS lo before SCLK lo \rightarrow hi		50		ns
I104	t_{P1}	Propagation Delay: MISO stable after NCS hi \rightarrow lo			50	ns
I105	t_{P2}	Propagation Delay: MISO high impedance after NCS lo \rightarrow hi	MODEA = 0x00	30		ns
I106	t_{H1}	Hold Time: NCS lo after SCLK lo \rightarrow hi	valid for SPI mode 3	30		ns
I107	t_{H3}	Hold Time: NCS lo after SCLK hi \rightarrow lo	valid for SPI mode 0	50		ns
I108	t_{S2}	Setup Time: MOSI stable before SCLK lo \rightarrow hi		30		ns
I109	t_{H2}	Hold Time: MOSI stable after SCLK lo \rightarrow hi		30		ns
I110	t_{P3}	Propagation Delay: MISO stable after MOSI change	mode: repeating MOSI on MISO		50	ns
I111	t_{P4}	Propagation Delay: MISO stable after SCLK hi \rightarrow lo	mode: sending data MISO	30		ns
I112	t_{W2}	Wait Time: SCLK stable after NCS lo \rightarrow hi		500		ns
I113	t_{L1}	Clock Signal lo Level Duration		25		ns
I114	t_{L2}	Clock Signal hi Level Duration		25		ns
BiSS-Interface (Figure 3, Figure 4)						
I115	t_{out}	Slave Timeout	NTOA = 0, adaptive, typ. t_{init}	1.5 * t_{MAS}	1.5 * $t_{MAS} + 8/f_{osc}$	ns
			NTOA = 1, fixed	16000	24000	ns
I116	t_{MAS}	Permissible Clock Period	NTOA = 0, adaptive, typ. t_{init}	200		ns
			NTOA = 1, fixed	100		ns
I117	t_{MASh}	Clock Signal Hi Level Duration	NTOA = 0, adaptive, typ. t_{init}	100	t_{out}	ns
			NTOA = 1, fixed	50	t_{out}	ns
I118	t_{MASl}	Clock Signal Lo Level Duration	NTOA = 0, adaptive, typ. t_{init}	100		ns
			NTOA = 1, fixed	50		ns
SSI-Interface (Figure 5), (Figure 6)						
I119	t_{out}	Timeout	NTOA = 1 NTOA = 0, adaptive, (not recommended)	16000 1.5 * t_{MAS}	24000 1.5 * $t_{MAS} + 8/f_{osc}$	ns ns
I120	t_{MAS}	Permissible Clock Period		250		ns
I121	t_{MASh}	Clock Signal Hi Level Duration		125	t_{out}	ns
I122	t_{MASl}	Clock Signal Lo Level Duration		125		ns

Timing SPI

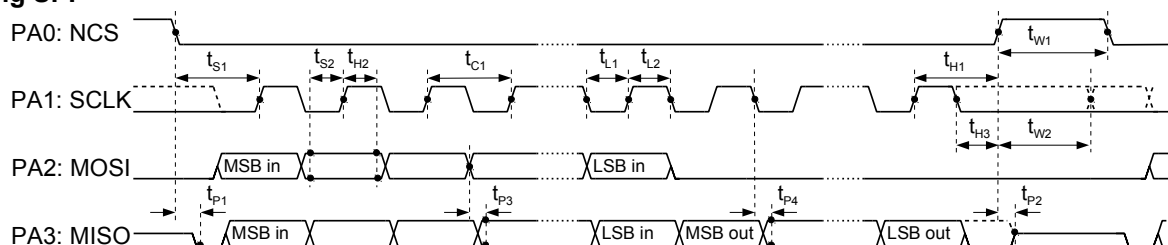


Figure 2: Timing SPI interface

PRINCIPLE OF MEASUREMENT

An absolute position measuring system consists of a magnetized code carrier and an iC-MU200 which integrates Hall sensors for signal scanning, signal conditioning, and interpolation in one single device. iC-MU200 can be used in rotative and linear measurement systems.

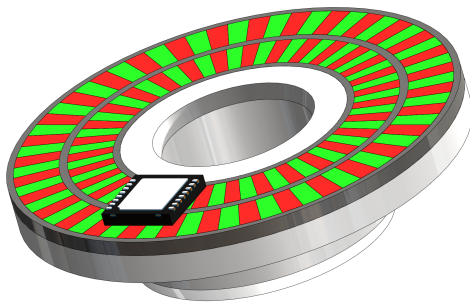


Figure 7: Rotative position measurement system

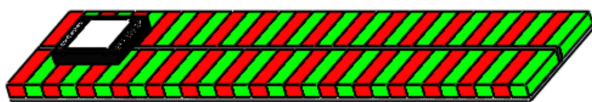


Figure 8: Linear position measurement system

Rotative measuring system

The magnetic code carrier consists of two magnetic encoder tracks. The outer track comprises an even number of alternately magnetized poles and is used for high-precision position definition. This is thus called the master track. The second inside track has one pole pair less than the outer track and is thus referred to as the nonius track. This track is used to calculate an absolute position within one revolution of the pole disc. To this end, the difference in angle between the two tracks is calculated.

Number of pole pairs		16	32	64
Master track diameter	[mm]	20.37	40.74	81.49
Chip center to axis center	[mm]	8.19	18.37	38.74
Nonius track diameter	[mm]	12.37	32.74	73.49
Master track pole width	[mm]	2.00	2.00	2.00
Nonius track pole width	[mm]	1.30	1.66	1.83

Table 6: Pole disc dimensions in mm for rotative systems

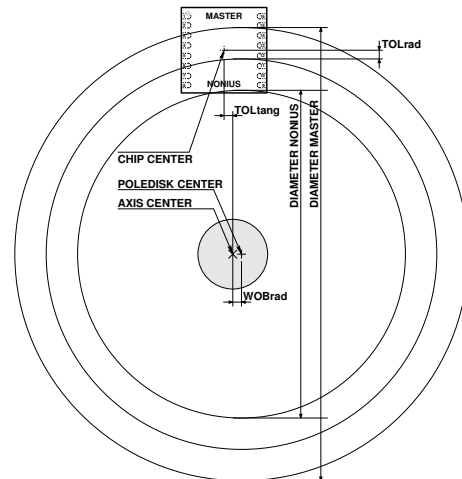


Figure 9: Definition of system measurements

The Hall sensors of iC-MU200 span one pole pair of the code carrier. The pole width of the master track is defined by the distance of the Hall sensors and is 2.00 mm. The position of the sensors on the upper chip edge has been optimized for 32 pole pairs. Accordingly, the Hall sensors generate a periodic sine and cosine signal with a cycle length of 4.00 mm. The scan diameter can be computed from the number of pole pairs. The diameter of the pole disc although depends on other mechanical requirements and should be approx. 3 mm greater than the scan diameter. A specific diameter for the master and nonius tracks is derived depending on the number of configured pole pairs.

The distance between the hall sensors of the nonius track and the master track is stipulated as being 4.0 mm by the evaluation device. The scan diameters of the nonius track can be seen in Table 6.

Linear measuring system

With a linear nonius system the pole width of the master track is also 2.00 mm. The pole width of the nonius track is defined by the number of pole pairs with

$$p_{\text{nonius}} = 2.00 \text{ mm} * \frac{\text{number of poles}_{\text{master}}}{\text{number of poles}_{\text{nonius}}}$$

Number of pole pairs	16	32	64
Master track pole width [mm]	2.00	2.00	2.00
Nonius track pole width [mm]	2.133	2.065	2.032

Table 7: Linear scales, pole widths in mm

CONFIGURATION PARAMETERS

Analog parameters (valid for all channels)

CIBM: Bias current settings (p. 19)
ENAC: Amplitude control unit activation (p. 20)

Signal conditioning

GC_M: Master gain range selection (p. 19)
GF_M: Master gain (p. 19)
GX_M: Master cosine signal gain adjustment (p. 19)
VOSS_M: Master sine offset adjustment (p. 20)
VOSC_M: Master cosine offset adjustment (p. 20)
PH_M: Master phase adjustment (p. 21)
PHR_M: Master phase adjustment range (p. 21)
GC_N: Nonius gain range selection (p. 19)
GF_N: Nonius gain (p. 19)
GX_N: Nonius cosine signal gain adjustment (p. 19)
VOSS_N: Nonius sine offset adjustment (p. 20)
VOSC_N: Nonius cosine offset adjustment (p. 20)
PH_N: Nonius phase adjustment (p. 21)
PHR_N: Nonius phase adjustment range (p. 21)

Digital parameters

TEST: Adjustment modes/iC-Haus test modes (p. 22)
CRC16: EEPROM configuration data checksum (p. 24)
CRC8: EEPROM offset and preset data checksum (p. 25)
NCHK_CRC: Cyclic check of CRC16 and CRC8 (p. 25)
BANKSEL: Serial Access: Bank register (p. 50)
RPL: Register Access Control (p. 54)
RPL_RESET: Serial Access: Register for reset register access restriction (p. 54)
EVENT_COUNT: Serial Access: Event counter (p. 59)
HARD_REV: serial address: revision code (p. 53)

Configurable I/O interface

MODEA: I/O port A configuration (p. 28)
MODEB: I/O port B configuration (p. 28)
NTOA: Adaptive Timeout (p.31)
PA0_CONF: Configurable commands to pin PA0 (p. 61)
ROT_ALL: Code direction (p. 30)
OUT_MSB: Output shift register configuration: MSB used bits (p. 30)
OUT_LSB: Output shift register configuration: LSB used bits (p. 30)
OUT_ZERO: Output shift register configuration: number of zeros inserted after the used bits and before an error/warning (p. 30)
MODE_ST: Data output (p. 29)
GSSI: Gray/binary data format (p. 33)
RSSI: Ring operation (p. 33)

Multiturn interface

MODE_MT: Multiturn mode (p. 42)
SBL_MT: Multiturn synchronization bit length (p. 42)
CHK_MT: Cyclic check of the multiturn value (p. 43)
GET_MT: MT interface daisy chain (p. 45)
ROT_MT: Code direction external multiturn (p. 43)
ESSI_MT: Error Bit external multiturn (p. 43)
SPO_MT: Offset external multiturn (p. 43)

Converter and nonius calculation

FILT: Digital filter settings (p. 39)
MPC: Master period count (p. 39)
LIN: Linear scanning (p. 40)
SPO_x: Offset of nonius to master (x=BASE,0-14) (p. 40)
NCHK_NON: Cyclic check of the nonius value (low active) (p. 41)

Incremental output ABZ, STEP/DIR and CW/CCW

RESABZ: Incremental interface resolution ABZ,STEP-DIR,CW/CCW (p. 46)
LENZ: Index pulse length (p. 47)
INV_A: A/STEP/CW signal inversion (p. 47)
INV_B: B/DIR/CCW signal inversion (p. 47)
INV_Z: Z/NCLR signal inversion (p. 47)
SS_AB: System AB step size (p. 48)
FRQAB: AB output frequency (p. 48)
CHYS_AB: Converter hysteresis (p. 48)
ENIF_AUTO: Incremental interface enable (p. 48)

UVW commutation signals

PPUVW: Number of commutation signal pole pairs (p. 49)
PP60UVW: Commutation signal phase position (p. 49)
OFF_UVW: Commutation signal start angle (p. 49)
OFF_COM: serial address: absolute position offset for UVW calculation engine changed by nonius (p. 49)

Status/command registers and error monitoring

CMD_MU: serial address: command register (p. 58)
STATUS0: serial address: status register 0 (p. 56)
STATUS1: serial address: status register 1 (p. 56)
CFGEW: Error and warning bit configuration (p. 57)
EMTD: Minimum error message duration (p. 57)
ACC_STAT: Output configuration status register (p. 56)
ACRM_RES: Automatic reset with master track amplitude errors (p. 41)

iC-MU200 MAGNETIC OFF-AXIS POSITION ENCODER - POLE WIDTH 2.00MM



Rev A3, Page 15/66

BiSS-ID/Profile-ID

DEV_ID: Device ID (p. 18)
MFG_ID: Manufacturer ID (p. 18)
EDSBANK: EDSBANK (p. 18)
PROFILE_ID: Profile ID (p. 18)
SERIAL: Serial number (p. 18)

Preset function

ROT_POS: Code direction for ABZ calculation engine and serial absolute interface(p. 30)
OFF_ABZ: Offset Absolute position offset for ABZ calculation engine (p. 62)
OFF_POS: serial address: absolute position offset for ABZ calculation engine changed by nonius/multiturn (p. 62)
PRES_POS: Preset position for ABZ section (p. 62)

REGISTER ASSIGNMENTS (EEPROM)

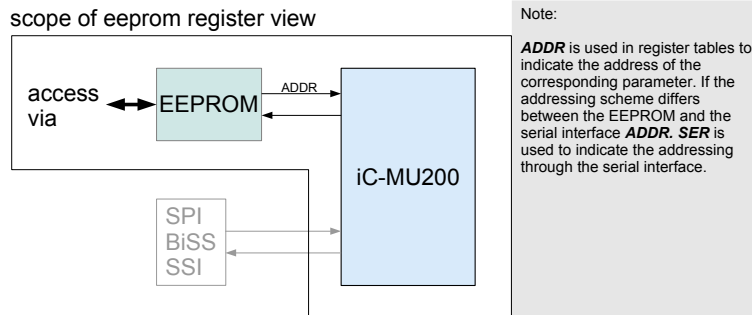


Figure 10: Scope of register mapping EEPROM

Register assignment (EEPROM)

OVERVIEW								
Addr	Bit 7	Bit 6	Bit 5	Bit 4	Bit 3	Bit 2	Bit 1	Bit 0
Signal Conditioning								
0x00	GC_M(1:0)		GF_M(5:0)					
0x01	GX_M(6:0)							
0x02	VOSS_M(6:0)							
0x03	VOSC_M(6:0)							
0x04	PHR_M	PH_M(6:0)						
0x05	ENAC	CIBM(3:0)						
0x06	GC_N(1:0)		GF_N(5:0)					
0x07	GX_N(6:0)							
0x08	VOSS_N(6:0)							
0x09	VOSC_N(6:0)							
0x0A	PHR_N	PH_N(6:0)						
Digital Parameters								
0x0B	MODEB(2:0)			NTOA	MODEA(2:0)			
0x0C	CFGEW(7:0)							
0x0D	ACC_STAT	NCHK_CRC	NCHK_NON	ACRM_RES	EMTD(2:0)			
0x0E	ESSI_MT(1:0)		ROT_MT	LIN	FILT(2:0)			
0x0F	SPO_MT(3:0)				MPC(3:0)			
0x10	GET_MT	CHK_MT	SBL_MT(1:0)		MODE_MT(3:0)			
0x11	OUT_ZERO(2:0)			OUT_MSB(4:0)				
0x12	GSSI	RSSI	MODE_ST(1:0)		OUT_LSB(3:0)			
0x13	RESABZ(7:0)							
0x14	RESABZ(15:8)							
0x15	ROT_ALL	SS_AB(1:0)		ENIF_AUTO	FRQAB(2:0)			
0x16	LENZ(1:0)		CHYS_AB(1:0)	PP60UVW	INV_A	INV_B	INV_Z	
0x17	RPL(1:0)		PPUVW(5:0)					
TEST								
0x18	TEST(7:0)							
TRACK-OFFSET								
0x19	SPO_0(3:0)			SPO_BASE(3:0)				
0x1A	SPO_2(3:0)			SPO_1(3:0)				

iC-MU200 MAGNETIC OFF-AXIS POSITION ENCODER - POLE WIDTH 2.00MM



Rev A3, Page 17/66

OVERVIEW									
Addr	Bit 7	Bit 6	Bit 5	Bit 4	Bit 3	Bit 2	Bit 1	Bit 0	
0x1B		SPO_4(3:0)				SPO_3(3:0)			
0x1C		SPO_6(3:0)				SPO_5(3:0)			
0x1D		SPO_8(3:0)				SPO_7(3:0)			
0x1E		SPO_10(3:0)				SPO_9(3:0)			
0x1F		SPO_12(3:0)				SPO_11(3:0)			
0x20		SPO_14(3:0)				SPO_13(3:0)			
CRC16									
0x21		CRC16(15:8)							
0x22		CRC16(7:0)							
OFFSET/PRESET									
0x23		OFF_ABZ(3:0)							ROT_POS
0x24		OFF_ABZ(11:4)							
0x25		OFF_ABZ(19:12)							
0x26		OFF_ABZ(27:20)							
0x27		OFF_ABZ(35:28)							
0x28		OFF_UVW(3:0)							
0x29		OFF_UVW(11:4)							
0x2A		PRES_POS(3:0)							
0x2B		PRES_POS(11:4)							
0x2C		PRES_POS(19:12)							
0x2D		PRES_POS(27:20)							
0x2E		PRES_POS(35:28)							
CRC8									
0x2F		CRC8(7:0)							
PA0_CONF									
0x30		PA0_CONF(7:0)							
BiSS Profile and Serial number									
0x31		EDSBANK(7:0) = 0x01							
0x32		PROFILE_ID(7:0)							
0x33		PROFILE_ID(15:8)							
0x34		SERIAL(7:0)							
0x35		SERIAL(15:8)							
0x36		SERIAL(23:16)							
0x37		SERIAL(31:24)							
Device Identification									
0x38		DEV_ID(7:0)							
0x39		DEV_ID(15:8)							
0x3A		DEV_ID(23:16)							
0x3B		DEV_ID(31:24)							
0x3C		DEV_ID(39:32)							
0x3D		DEV_ID(47:40)							
0x3E		MFG_ID(7:0)							
0x3F		MFG_ID(15:8)							
Notes:	Register assignment for serial access through SPI/BiSS s.p. 50								

Table 8: Register assignment (EEPROM)

Special BiSS registers

For further information on parameters, see BiSS Interface Protocol Description (C Mode) www.ichaus.de/product/iC-MU200.

DEV_ID(7:0)	Addr. 0x38; bit 7:0
	Addr. SER:0x78; bit 7:0
DEV_ID(15:8)	Addr. 0x39; bit 7:0
	Addr. SER:0x79; bit 7:0
DEV_ID(23:16)	Addr. 0x3A; bit 7:0
	Addr. SER:0x7A; bit 7:0
DEV_ID(31:24)	Addr. 0x3B; bit 7:0
	Addr. SER:0x7B; bit 7:0
DEV_ID(39:32)	Addr. 0x3C; bit 7:0
	Addr. SER:0x7C; bit 7:0
DEV_ID(47:40)	Addr. 0x3D; bit 7:0
	Addr. SER:0x7D; bit 7:0
Code	Description
0x000000000000	DEV_ID
...	
0xFFFFFFFFFFFF	

Table 9: Device ID

MFG_ID(7:0)	Addr. 0x3E; bit 7:0
	Addr. SER:0x7E; bit 7:0
MFG_ID(15:8)	Addr. 0x3F; bit 7:0
	Addr. SER:0x7F; bit 7:0
Code	Description
0x0000	MFG_ID
...	
0xFFFF	

Table 10: BiSS Manufacturer ID

EDSBANK(7:0)	Addr. 0x31; bit 7:0
EDSBANK(7:0)	Addr. SER:0x41; bit 7:0
Code	Description
0x00	no EDS
0x01	
...	
0xFF	
Note:	recommended value 0x02, in this case an additional sensor like iC-PVL can use BANK 1 for configuration

Table 11: EDSBANK: Start of EDS-part

PROFILE_ID(7:0)	Addr. 0x32; bit 7:0
	Addr. SER:0x42; bit 7:0
PROFILE_ID(15:8)	Addr. 0x33; bit 7:0
	Addr. SER:0x43; bit 7:0
Code	Description
0x0000	PROFILE_ID
...	
0xFFFF	

Table 12: Profile ID

SERIAL(7:0)	Addr. 0x34; bit 7:0
	Addr. SER:0x44; bit 7:0
SERIAL(15:8)	Addr. 0x35; bit 7:0
	Addr. SER:0x45; bit 7:0
SERIAL(23:16)	Addr. 0x36; bit 7:0
	Addr. SER:0x46; bit 7:0
SERIAL(31:24)	Addr. 0x37; bit 7:0
	Addr. SER:0x47; bit 7:0
Code	Description
0x00000000	SERIAL
...	
0xFFFFFFFF	

Table 13: Serial number

SIGNAL CONDITIONING FOR MASTER AND NONIUS CHANNELS: x = M,N

Bias current source

The calibration of the bias current source in test mode $TEST=0x1F$ is prerequisite for adherence to the given electrical characteristics and also instrumental in the determination of the chip timing (e.g. SCL clock frequency). For the calibration the current out of pin PB2 into VNA must be measured, and register bits CIBM changed until the current is calibrated to 200 μ A.

CIBM(3:0) Addr. 0x05; bit 3:0	
Code	Description
0x0	-40 %
...	...
0x8	0 %
0x9	+5 %
...	...
0xF	+35 %

Table 14: Calibrating the bias current

Gain settings

iC-MU200 has signal conditioning features that can compensate for signal and adjustment errors. The Hall signals are amplified in two stages. The gain of both amplification stages is automatically controlled when the bit ENAC is set to '1'. The register bits GC_x and GF_x have no effect. In the case of a deactivated automatic gain control (ENAC='0') the gain must be set manually. First, the approximate field strength range must be selected in which the Hall sensor is to be operated. The first amplifier stage can be programmed in the following ranges:

GC_M(1:0) Addr. 0x00; bit 7:6	
GC_N(1:0) Addr. 0x06; bit 7:6	
Code	Coarse gain
0x0	4.4
0x1	7.8
0x2	12.4
0x3	20.7

Table 15: Selection of the Hall signal amplification range

The second amplifier stage can be varied within a wide range.

GF_M(5:0) Addr. 0x00; bit 5:0	
GF_N(5:0) Addr. 0x06; bit 5:0	
Code	Fine gain
0x00	1.000
0x01	1.048
...	$\exp(\frac{\ln(20)}{64} \cdot GF_x)$
0x3F	19.08

Table 16: Hall signal amplification

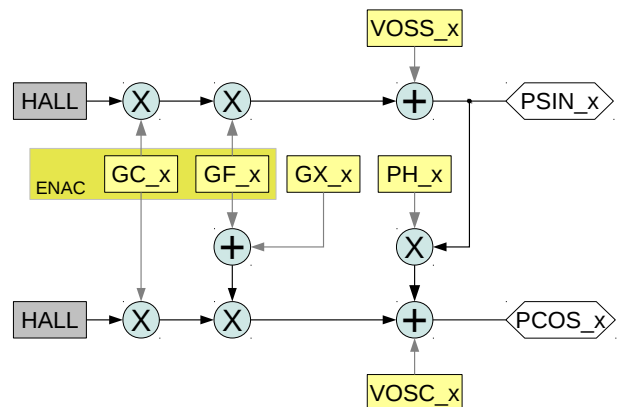


Figure 11: Conditioning of hall voltages

Register GX_x enables the sensitivity of the sine channel in relation to the cosine channel to be corrected. The amplitude of the cosine channel is adapted to the amplitude of the sine channel. The cosine amplitude can be corrected within a range of approx. $\pm 10\%$.

GX_M(6:0) Addr. 0x01; bit 6:0	
GX_N(6:0) Addr. 0x07; bit 6:0	
Code	Description
0x00	1.000
0x01	1.0015
...	$\exp(\frac{\ln(20)}{2048} \cdot GX_x)$
0x3F	1.0965
0x40	0.9106
...	$\exp(-\frac{\ln(20)}{2048} \cdot (128 - GX_x))$
0x7F	0.9985

Table 17: Cosine gain adjustment

The integrated amplitude control unit can be activated using bit ENAC. In this case the differential signal amplitude is regulated to 2 Vpp; the values of GF_x have no effect here.

ENAC		Addr. 0x05; bit 7
Code	Description	
0	Amplitude control not active (<i>constant</i>)	
1	Amplitude control active ($\sin^2 + \cos^2$)	

Table 18: Amplitude control unit activation

The current gain set by the amplitude control unit can be read with the parameters ACGAIN_M and ACGAIN_N for the gain range, AFGAIN_M and AFGAIN_N for the gain factor (ref. Table 19 and 20). AFGAIN_M and AFGAIN_N shows coarse steps of the gain factor, but the amplitude control unit uses a finer resolution to control the gain factor.

ACGAIN_M(1:0)	Addr. SER:0x2B; bit 4:3	R
ACGAIN_N(1:0)	Addr. SER:0x2F; bit 4:3	R
Code	Gain range	
0x0	4.4	
0x1	7.8	
0x2	12.4	
0x3	20.7	

Table 19: Current gain range of amplitude control unit

AFGAIN_M(2:0)	Addr. SER:0x2B; bit 2:0	R
AFGAIN_N(2:0)	Addr. SER:0x2F; bit 2:0	R
Code	Description	
0x0	1.00	
0x1	1.45	
...	$\exp(\frac{\ln(20)}{8}) \cdot AFGAIN_x$	
0x7	13.75	

Table 20: Current gain factor of amplitude control unit

After startup the gain is increased until the set amplitude is obtained. If the input amplitude is altered by the distance between the magnet and sensor being varied, or if there is a change in the supply voltage or temperature, the gain is automatically adjusted. The conversion of the sine signals into high-resolution quadrature signals thus always takes place at optimum amplitude.

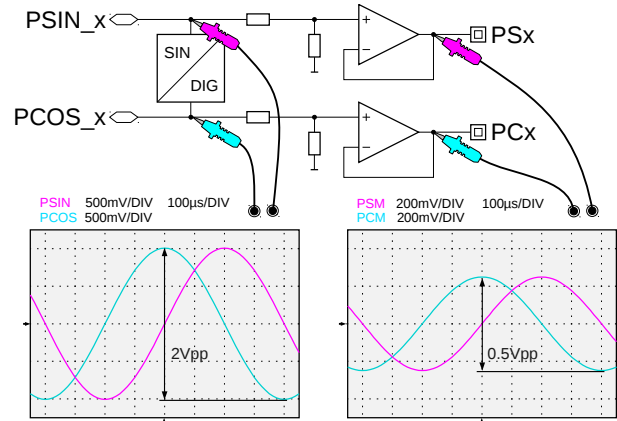


Figure 12: Definition of peak-peak amplitude

Offset compensation

If there is an offset in the sine or cosine signal, possibly caused by a magnet not being precisely adjusted, for instance, this can be corrected by registers VOSS_x and VOSC_x. The output voltage can be shifted in each case by ± 63 mV in order to compensate for the offset.

VOSS_M(6:0)	Addr. 0x02; bit 6:0
VOSS_N(6:0)	Addr. 0x08; bit 6:0
VOSC_M(6:0)	Addr. 0x03; bit 6:0
VOSC_N(6:0)	Addr. 0x09; bit 6:0
Code	Description
0x00	0 mV
0x01	1 mV
...	...
0x3F	63 mV
0x40	0 mV
0x41	-1 mV
...	...
0x7F	-63 mV

Table 21: Sine and cosine offset adjustment

Phase adjustment

The phase between sine and cosine is adjusted by PHR_x and PH_x (6:0). The compensation range for the master track is with range selector PHR_M = 0 approx. $\pm 8^\circ$ and in extended phase adjustment range PHR_M = 1 $\pm 16^\circ$. The compensation range for the nonius track is approx. $\pm 12^\circ$ (PHR_N = 0) and $\pm 20^\circ$ (PHR_N = 1), respectively.

iC-MU200 MAGNETIC OFF-AXIS POSITION ENCODER - POLE WIDTH 2.00MM



Rev A3, Page 21/66

PHR_M Addr. 0x04; bit 7		
PH_M(6:0) Addr. 0x04; bit 6:0		
PH_M(6:0)	PHR_M=0	PHR_M=1
0x00	0°	0°
...	+8° * PH_M/63	+16° * PH_M/63
0x3F	+8°	+16°
0x40	0°	0°
...	-8° * (PH_M-64)/63	-16° * (PH_M-64)/63
0x7F	-8°	-16°

Table 22: Master track phase adjustment

PHR_N Addr. 0x0A; bit 7		
PH_N(6:0) Addr. 0x0A; bit 6:0		
PH_N(6:0)	PHR_N=0	PHR_N=1
0x00	0°	0°
...	+12° * PH_N/63	+20° * PH_N/63
0x3F	+12°	+20°
0x40	0°	0°
...	-12° * (PH_N-64)/63	-20° * (PH_N-64)/63
0x7F	-12°	-20°

Table 23: Nonius track phase adjustment

ANALOG SIGNAL CONDITIONING FLOW: x = M,N

For the purpose of signal conditioning iC-MU200 has several settings that make internal reference values and the amplified Hall voltages of the individual sensors accessible at the outer pins of PORT B for measurement. This allows the settings of the amplifier (GC_x, GF_x), the amplitude ratio of cosine to sine signal (GX_x), and the offset (VOSS_x, VOSC_x) and phase (PH_x) of the master (x = M) and nonius tracks (x = N) to be directly observed on the oscilloscope.

Note:

For an easy installation and setup, the analog and the track offset SPON correction should be done by using the automatic calibration functions of the GUI software (or DLL) available for iC-MU200. All necessary steps are described in the iC-MU application note AN3 which can be used also for iC-MU200: http://www.ichaus.de/MU_AN3_appnote_en

Test mode can be programmed using register TEST (address 0x18). The individual test modes are listed in Table 24 and 25.

Note:

MODEB must be set to 0x0 before selecting a test mode. In test mode 0x1F (Analog REF) I2C communication is disabled.

Test Mode output signals					
Mode	TEST	Pin PB0	Pin PB1	Pin PB2	Pin MTC
Normal	0x00				
Analog REF	0x1F	VREF	VBG	IBM	-
Digital CLK	0x26	-	-	-	CLK

Table 24: Test modes for signal conditioning

1. Conditioning the BIAS current

First of all, the internal bias is set. The BIAS current is adjustable in the range of -40 % to +35% to compensate variations of this current and thus differences in characteristics between different iC-MU200 (e.g. due to manufacturing variations). The nominal value of 200 µA is measured as a short-circuit current at pin PB2 referenced to VNA in test mode 0x1F.

Additionally various internal reference voltages are available for measuring in this test mode. VREF corresponds to half the supply voltage (typically 2.5 V) and is used as a reference voltage for the hall sensor signals. VBG is the internal bandgap reference (1.25 V)

Alternatively the frequency at Pin MTC can be adjusted to 405 kHz ($\frac{f_{osc}}{64}$, see elec. char. no.: 407) using register

value CIBM in test mode 0x26, if an analog measuring of the current is not possible.

Test mode output signals					
Mode	TEST	Pin PB0	Pin PB1	Pin PB2	Pin PB3
Normal	0x00				
Analog Master	0x01	PSM	NSM	PCM	NCM
Analog CNV_M	0x03	PSIN_M	NSIN_M	PCOS_M	NCOS_M
Analog Nonius	0x11	PSN	NSN	PCN	NCN
Analog CNV_N	0x13	PSIN_N	NSIN_N	PCOS_N	NCOS_N

Table 25: Test modes and available output signals

The output signals of the signal path are available as differential signals with a mean voltage of half the supply voltage and can be selected for output according to Table 25.

2. Positioning of the sensor

Next, the sensor should be adjusted in relation to the magnetic code carrier. The value of MPC (Table 57) has to be selected according to the magnetic code carrier. The register values for VOSS_x, VOSC_x, GX_x and PH_x are set to 0. The chip position will now be displaced radially to the magnetic code carrier until the phase shift between the sine and cosine is 90°.

Depending on the mounting of the system it may be necessary to displace iC-MU200 tangentially to the magnetic code carrier to adjust the amplitude between the sine and cosine signals.

A fine adjustment of the analog signals is made with the registers described in the chapter SIGNAL CONDITIONING FOR MASTER AND NONIUS CHANNELS page 19.

The adjustment should be made in the order:

1. phase
2. amplitude
3. offset

3.a Test modes analog master and analog nonius

In these test modes the amplified, conditioned signals are presented to port B. These signals can be charged with a maximum of 1 mA and should not exceed a differential voltage of 0.5 Vpp.

3.b Test mode CNV_x

In this test mode the sensor signals are present at port B as they are internally for further processing on the interpolator. The achievable interpolation accuracy is

determined by the quality of signals PSIN_x/NSIN_x and PCOS_x/NCOS_x and can be influenced in this test mode by adjustment of the gain, amplitude ratio, offset, and phase. The signals must be tapped at high impedance.

4. Track offset SPON

After the analog adjustment of the master and nonius track the absolute system must be electrically calibrated for maximum adjustment tolerance. See page 40 ff.

EEPROM AND I2C INTERFACE

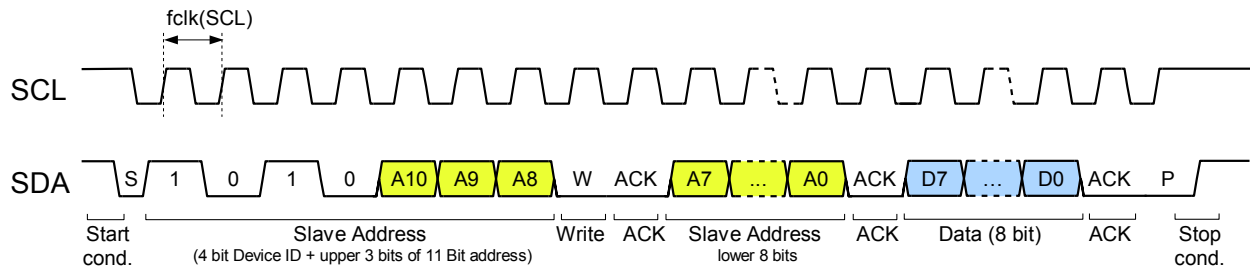


Figure 13: I²C slave addressing for writing a single byte to the EEPROM.

Basic interface features

I2C Master Performance	
Protocol	Standard I ² C
Clock Rate (Output)	70/80 kHz max. (refer to Elec.Char. 808)
Addressing	11 bit: 8 bit register address plus 3 bit block selection
Multi-Master Capability	Yes

Table 26: I²C interface performance

The multimaster-I2C interface enables read and write access to a serial EEPROM. The basic EEPROM requirements are summarized in Table 27.

EEPROM device requirements

EEPROM Device Requirements	
Supply Voltage	2.5 V to 5.5 V (respectively according to VPA/VPD)
Power-On Threshold	< 3.6 V (due to Elec.Char. 404)
Addressing	11 bit address max.
Device Address	0x50 ('1010 000' w/o R/W bit), 0xA0 ('1010 0000' with R/W = 0)
Page Buffer	Not required
Size Min.	1 Kbit (128x8 bit), type 24C01, for configuration data
Size Max.	16 Kbit (8x 256x8 bit), type 24C16 Size limited due to 11-bit slave addressing.

Table 27: EEPROM Device Requirements

It is not relevant if the EEPROM's internal page buffer is 8 or 16 bytes. EEPROMs beyond 16 Kbit can not be used as those require a 2 byte address.

ATTENTION: EEPROMs which consider block selection bits as "don't care" should not be used. This can be the case with 8-pin devices, as well as with 5-pin devices not featuring A2, A1, A0 pins.

Be aware of potential conflicts:

If a user tries to access memory beyond the 2 Kbit range, the iC-MU200 configuration data will be overwritten.

If further I²C slave devices are operated on the same bus, higher device addresses may be occupied.

CRC checksums

The configuration data in the EEPROM in address range 0x00 to 0x20 and 0x30 to 0x3F is secured with a 16 bit CRC (CRC16). The start value for the CRC16 calculation is 1.

CRC16(7:0)	Addr. 0x22; bit 7:0
CRC16(15:8)	Addr. 0x21; bit 7:0
CRC16(7:0)*	Addr. SER: 0x80; bit 7:0
CRC16(15:8)*	Addr. SER: 0x81; bit 7:0
Code	Meaning
...	CRC formed with CRC polynomial 0x11021**)
Notes:	*) Access only via SPI interface **) $x^{16} + x^{12} + x^5 + 1$, start value 0x1 This is equivalent to CRC-CCITT/CRC-16

Table 28: EEPROM data checksum

The offset and preset position for iC-MU200's preset sequence is not part of the configuration data area. The data is located in address range 0x23 to 0x2E of the EEPROM and is secured separately with a 8-bit CRC (CRC8). The start value for the CRC8 calculation is 1.

CRC8(7:0) Addr. 0x2F; bit 7:0	
CRC8(7:0)* Addr. SER: 0x82; bit 7:0	
Code	Meaning
...	CRC formed with CRC polynomial 0x197**)
Notes:	*) Access only via SPI interface **) $x^8 + x^7 + x^4 + x^2 + x^1 + 1$, start value 0x1

Table 29: Offset/preset data checksum

iC-MU200 calculates CRC8 and CRC16 automatically when writing the configuration to the EEPROM. However, an example of a CRC calculation routine is given in Tab. 31. The serial interface allows to access the CRC8 and CRC16 values only in SPI mode. CRC16 and CRC8 are checked on startup. A cyclic check during operation can be configured with NCHK_CRC. With the command CRC_VER (s. Tab. 108) a CRC check can be explicitly requested. An error is reported by status bit CRC_ERR.

NCHK_CRC Addr. 0x0D; bit 6	
Code	Meaning
0	cyclical CRC check of CRC16 and CRC8
1	no cyclical CRC check

Table 30: Cyclic CRC check

```

unsigned char ucDataStream = 0;
int iCRC_CRC8Poly = 0x97;
unsigned char ucCRC8;
int i = 0;

ucCRC8 = 1; // start value !!!
for (iReg = 35; iReg < 47; iReg ++ )
{
    ucDataStream = ucGetValue(iReg);
    for (i=0; i<=7; i++) {
        if ((ucCRC8 & 0x80) != (ucDataStream & 0x80))
            ucCRC8 = (ucCRC8 << 1) ^ iCRC_CRC8Poly;
        else
            ucCRC8 = (ucCRC8 << 1);
            ucDataStream = ucDataStream << 1;
    }
}
    
```

Table 31: Example of CRC calculation routine using CRC8

STARTUP BEHAVIOR

After switching on the power (power-on reset) iC-MU200 reads the configuration data out from the EEPROM. If an error occurs during the EEPROM data readout (a CRC error or communication fault with the EEPROM), the current read-in is aborted and restarted. Following a third faulty attempt the read-in process is terminated and the internal iC-MU200 configuration register initialized as in Tab. 33. The addresses are referenced to the register allocation for an register access through the serial interface s. p. 50.

Note: After the third faulty attempt to read-in the configuration data from the EEPROM the default value of MODEA is set to BiSS or SPI depending on the logic level at pin PA0 (PA0=0 → BiSS, PA0=1 → SPI).

Pin PA0	I/O Interface	Data length
0	BiSS	32 bits (24 bits + 2 bits E/W + 6 bits CRC)
1	SPI	24 bits

Table 32: Default interface depending on PA0

The amplitude control is started after the read-in of the EEPROM. To determine the absolute position a nonius calculation is started. An external multiturn is read-in if configured. If there is an error the multiturn read-in is repeated until no multiturn error occurs. The status bit MT_ERR is set in this case, register communication is possible. The ABZ/UVW-converter is only started if there was no CRC_ERR, EPR_ERR, MT_ERR or MT_CTR error during startup. The startup behaviour is described in Figure 14.

Default values			
Bank	Addr. (serial access)	value	Meaning
0	0x05	0x88	Amplitude control active (ENAC=1), CIBM = 0%
0	0x0B	0x02	PA0=0 → BiSS interface (MODEA=0x2), ABZ Incremental (MODEB=0x0)
0		0x00	PA0=1 → SPI interface (MODEA=0x0), ABZ Incremental (MODEB=0x0)
0	0x0E	0x06	FILTER activated
0	0x0F	0x05	32 pole pairs master track
0	0x10	0x00	no Multiturn, Nonius check active
0	0x11	0xA5	5 bit Nonius information, 5 Zeros added
0	0x12	0x00	output with max. resolution
0	0x13	0xFF	resolution 16384 edges
0	0x14	0x0F	
0	0x15	0x13	up to 12000 rpm (SS_AB=0x1), 266ns minimum edge distance
0	0x16	0x10	90° Index, 0.175° Hysteresis
0	0x17	0x02	1 pole pair commutation
-	0x78	0x4D	≈ M
-	0x79	0x55	≈ U
-	0x7A	HARD_REV	s. Tab. 98
-	0x7E	0x69	≈ i
-	0x7F	0x43	≈ C
Notes:	all other registers are preset with 0 Register assignment for register access through serial interface s.p. 50		

Table 33: Default configuration without the EEPROM

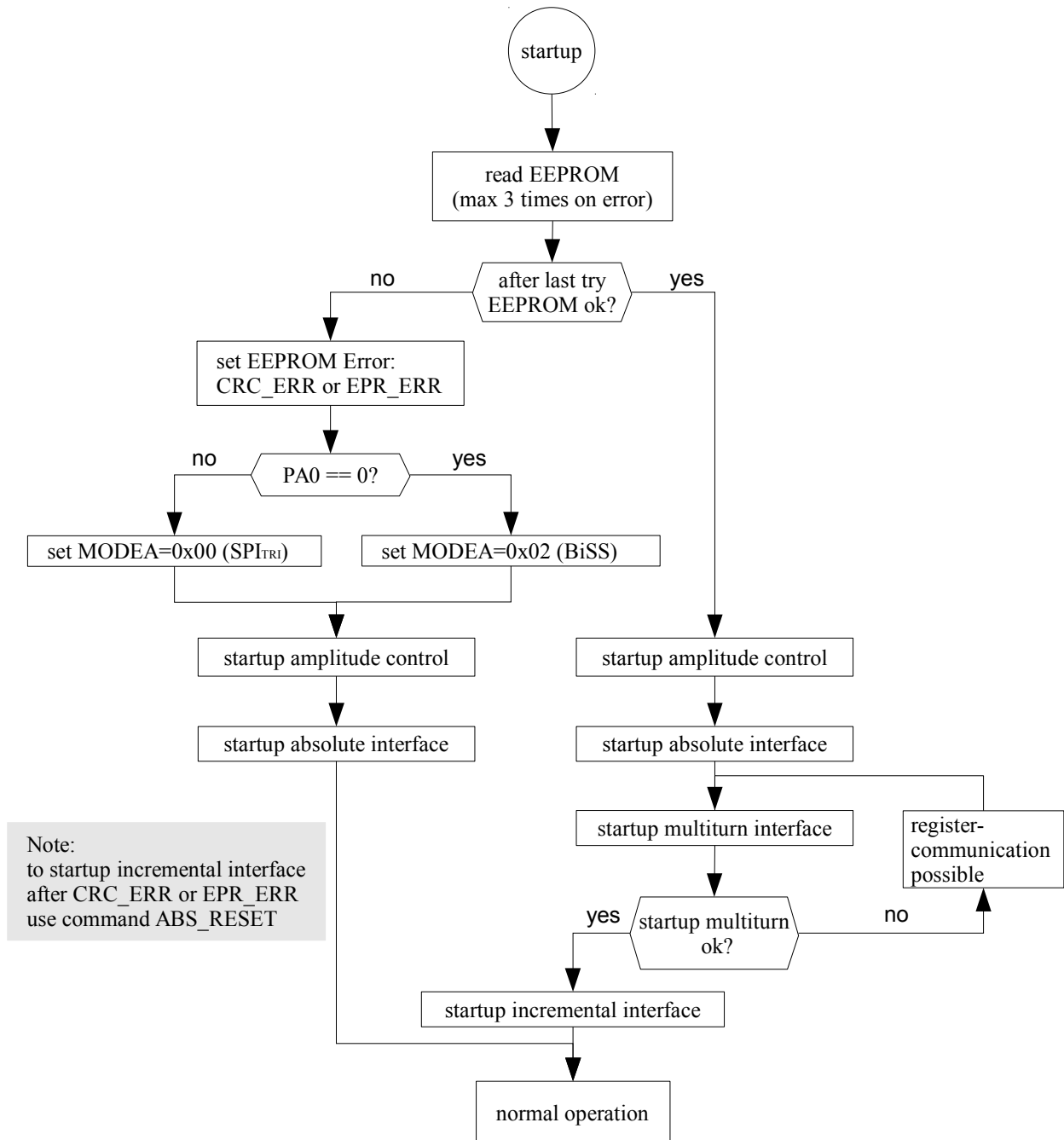


Figure 14: Startup behavior

CONFIGURABLE I/O INTERFACE

Setting the interfaces

iC-MU200 has several configurable output modes which can be set using parameters MODEA and MODEB. The pins at port A are set with MODEA. The choice of a serial interface at port A has also effect on the output of error and warning bits in the serial protocol see Table 37.

Note:

With an empty EEPROM or after the third faulty attempt to read-in the configuration data from the EEPROM the default value of MODEA is set to BiSS or SPI depending on the logic level at pin PA0 (PA0=0 → BiSS, PA0=1 → SPI).

MODEA(2:0) Addr. 0x0B; bit 2:0					
Code	PA0	PA1	PA2	PA3	Function
0x0	NCS	SCLK	MOSI	MISO	SPI _{TRI}
0x1	NCS	SCLK	MOSI	MISO	SPI
0x2	NPRES	MA	SLI	SLO	BiSS
0x3	NPRES	A	B	Z	ABZ *)
0x4	NPRES	MA	SLI	SLO	SSI **)
0x5	NPRES	MA	SLI	SLO	SSI+ERRL
0x6	NPRES	MA	SLI	SLO	SSI+ERRH
0x7	NPRES	MA	SLI	SLO	ExtSSI

Note: *) to save this configuration in the EEPROM see command SWITCH page 58 ff.
 **) MT sensor communication not possible (GET_MT = 0)

Table 34: Port A configuration

The pins at port B are set with MODEB.

MODEB(2:0) Addr. 0x0B; bit 6:4					
Code	PB0	PB1	PB2	PB3	Function
0x0	A	B	Z	NER*	ABZ
0x1	U	V	W	NER*	UVW
0x2	STEP	DIR	NCLR	NER*	Step/Direction
0x3	CW	CCW	NCLR	NER*	CW/CCW Incremental
0x4	NSN	PSN	PCN	NCN	SIN/COS Nonius**
0x5	NSM	PSM	PCM	NCM	SIN/COS Master**
0x6	-	-	-	-	reserved
0x7	-	-	-	-	tristate

Note: *) Pin PB3 (signal NER) is an open-collector output
 **) NSx, PSx, PCx, NCx vs. GND $V_{pk()}=250\text{ mV}$, $V_{CM()}=V_{NA}/2$

Table 35: Port B configuration

Note:

It is not possible to select ABZ at port A and ABZ, Step/Direction or CW/CCW at port B simultaneously.

In operating modes ABZ, UVW, step/direction, and CW/CCW the position is output incrementally. In setting SIN/COS Master the master track analog signal is switched directly to the analog drivers. The signals of the nonius track are available on the drivers with setting SIN/COS Nonius.

Serial interface: Configuring the data format and data length

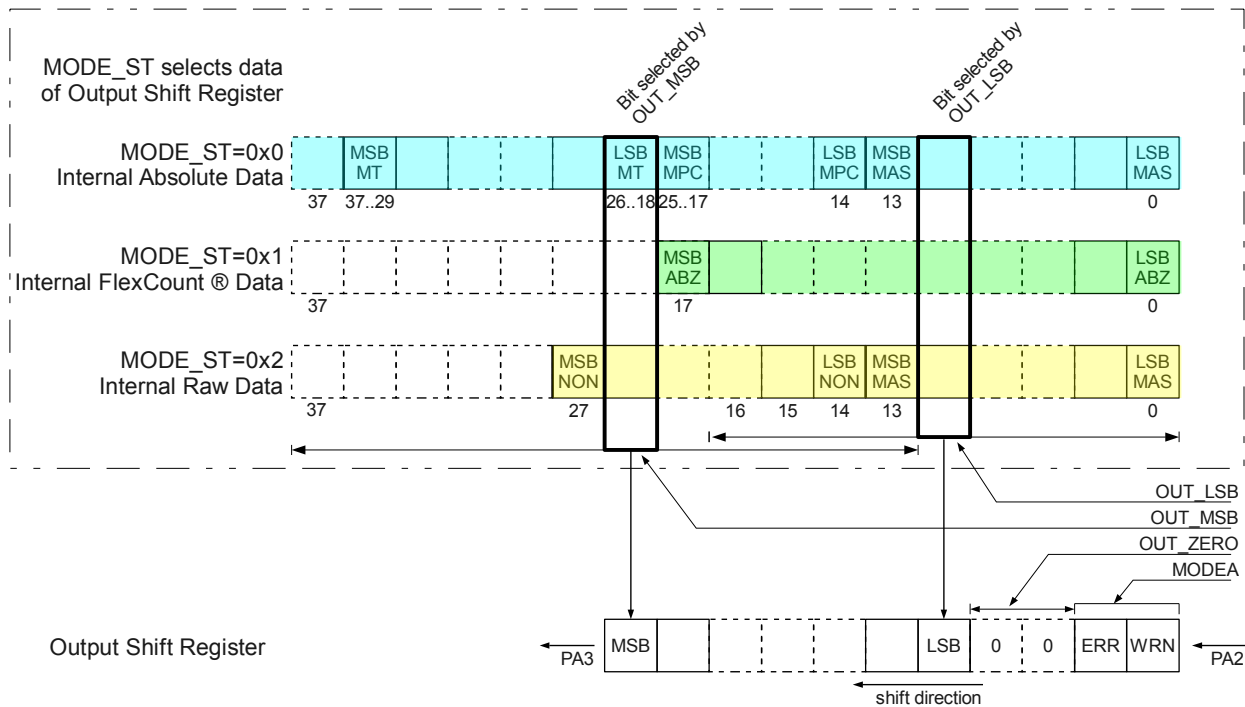


Figure 15: Determining the output data length

The structure of the output shift register is shown in Figure 15. The abbreviation MT stands for the multiturn data, MPC is short for the number of master periods in bit, ABZ for the data whose resolution is specified by the parameter RESABZ (Table 77), NON for the data of the nonius track and MAS for the data of the master track. The numbering of the user data starts at the LSB with zero. OUT_MSB and OUT_LSB determine which part of the user data is output by the output shift register.

MODE_ST selects the type of user data to be output through the output shift register.

MODE_ST(1:0) Addr. 0x12; bit 5:4	
Code	Description
0x0	output absolute position
0x1	output position in user resolution*) (FlexCount®)
0x2	output raw-data of Master- and Nonius track**)
0x3	reserved
Note:	*) resolution defined by RESABZ (Table 77) **) MPC must be ≠ 12

Table 36: Selection of output data

The number of output bits is determined by parameters OUT_MSB, OUT_LSB, OUT_ZERO and the error/warning bits (see Figure 15 and Table 37):

$data_length = 14 + OUT_MSB - OUT_LSB + OUT_ZERO +$
optional ERR/WRN (depending on MODEA)

There is an exception for the calculation of the output data length. If parameter MPC=12, OUT_LSB = 0 and OUT_MSB > 0x02 the number of output bits is given by:

$data_length_2 = OUT_MSB + OUT_ZERO + ERR/WRN$ (de-
pending on MODEA) - 2

MODEA(2:0) Addr. 0x0B; bit 2:0				
Function	Error		Warning	
	low active	high active	low active	high active
SPI	-	-	-	-
BiSS	✓	-	✓	-
SSI	-	-	-	-
SSI+ERRL	✓	-	-	-
SSI+ERRH	-	✓	-	-
ExtSSI	✓	-	✓	-

Table 37: MODEA: error/warning-bit within serial protocols

OUT_MSB configures the bit of the user data which is output as MSB at pin PA3.

OUT_MSB(4:0) Addr. 0x11; bit 4:0	
Code	Description
0x00	MSB = bit 13
0x01	MSB = bit 14
...	...
0x18	MSB = bit 37

Table 38: Selection of shift register MSB

OUT_LSB determines the LSB of the user data being output through the output shift register.

OUT_LSB(3:0) Addr. 0x12; bit 3:0		
Code	Condition	Description
0x0	MPC = 12, OUT_MSB > 0x02 MPC ≠ 12	LSB = bit 16 LSB = bit 0
0x1	-	LSB = bit 1
0x2	-	LSB = bit 2
...
0xD	-	LSB = bit 13
0xE	OUT_MSB > 0x00	LSB = bit 14
0xF	OUT_MSB > 0x01	LSB = bit 15

Table 39: Selection of shift register LSB

With OUT_ZERO additional zeros to be inserted between the user data and the error/warning bit can be configured. Parameter OUT_ZERO can be used to achieve multiples of 8 bits when sensor data is output through the SPI interface.

OUT_ZERO(2:0) Addr. 0x11; bit 7:5	
Code	Description
0x0	no additional '0' bit
0x1	1 additional '0' bit
...	...
0x7	7 additional '0' bits

Table 40: Selection of additional ZEROS

The code direction of the position data can be inverted with the parameters ROT_ALL, ROT_POS and the commands ROT_POS and ROT_POS_E2P (see P.58). Parameter ROT_ALL affects the output of the position

data of the serial interface in MODE_ST = 0x0 and 0x1, the incremental outputs (ABZ) and the UVW-interface. Parameter ROT_POS is EXOR-gated with parameter ROT_ALL and affects only the output of the position data of the serial interface in MODE_ST = 0x0 and 0x1 and the incremental outputs (ABZ).

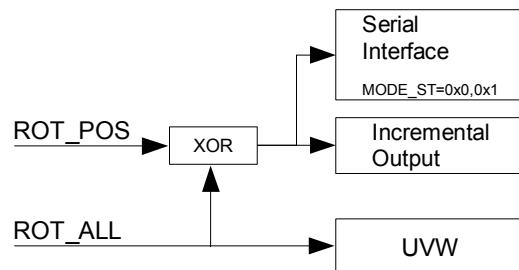


Figure 16: Effect of ROT_ALL and ROT_POS on position data code direction

ROT_ALL Addr. 0x15; bit 7	
Code	Description
0	no inversion of code direction
1	inversion of code direction
Notes:	no effect in MODE_ST = 2 (raw-data) for the data output of the serial interface ROT_POS can change the code direction in MODE_ST = 0x0 and 0x1, incremental outputs

Table 41: Inversion of code direction for the serial interface in MODE_ST = 0x0 and 0x1, incremental outputs and UVW-interface

ROT_POS Addr. 0x23; bit 0		
ROT_POS Addr. SER:0x1E; bit 0		
Code	ROT_ALL = 0	ROT_ALL = 1
0	no inversion of code direction	inversion of code direction
1	inversion of code direction	no inversion of code direction
Note:	no effect in MODE_ST = 2 (raw-data) for the data output of the serial interface and on UVW-interface	

Table 42: Resulting inversion of code direction for the serial interface in MODE_ST = 0x0 and 0x1, incremental outputs

BiSS C interface

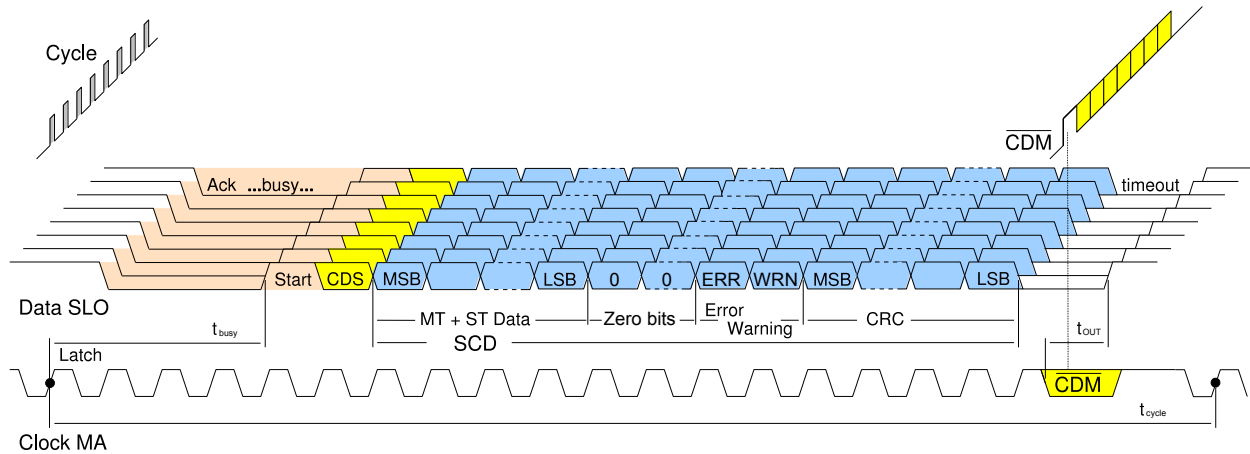


Figure 17: Example of BiSS line signals

MODEA	
Code	Description
0x2	BiSS-C

Table 43: MODEA: BiSS

The BiSS C interface serial bit stream is binary coded. The error and warning bit is low active. Transmission of sensor and register data is implemented. iC-MU200 needs no processing time, therefore t_{busy} is one master clock cycle. For further information regarding the BiSS-C-protocol visit www.biss-interface.com.

NTOA Addr. 0x0B; bit 3		
Code	Description	Timeout *)
0	Adaptive	t_{init}
1	Fixed	20 μ s
Note:	*) see I115, P. 11	

Table 44: Communication Timeout

A communication frame ends when the MA pin clock cycles stop. After the last edge on MA the communica-

tion timeout begins. With NTOA set to 0 the timeout is adaptive. The timeout period t_{out} is calculated based on the first MA edges as shown in Figure 4. By setting NTOA to 1 a fixed timeout of 20 μ s terminates the communication frame.

In BiSS protocol iC-MU200 uses fixed CRC polynomials, see Table 45. The single cycle data (SCD), i.e. the primary data which is newly generated and completely transmitted in each cycle, contains the position data (optional multiturn + singleturn) and the error and warning bit. The CRC value is output inverted.

data-channel*)	CRC HEX Code	Polynomial
SCD (sensor)	0x43	$x^6+x^1+x^0$
CDM, CDS (register)	0x13	$x^4+x^1+x^0$
Note:	*) explanation s. BiSS-C specification	

Table 45: BiSS CRC polynomials

SSI interface

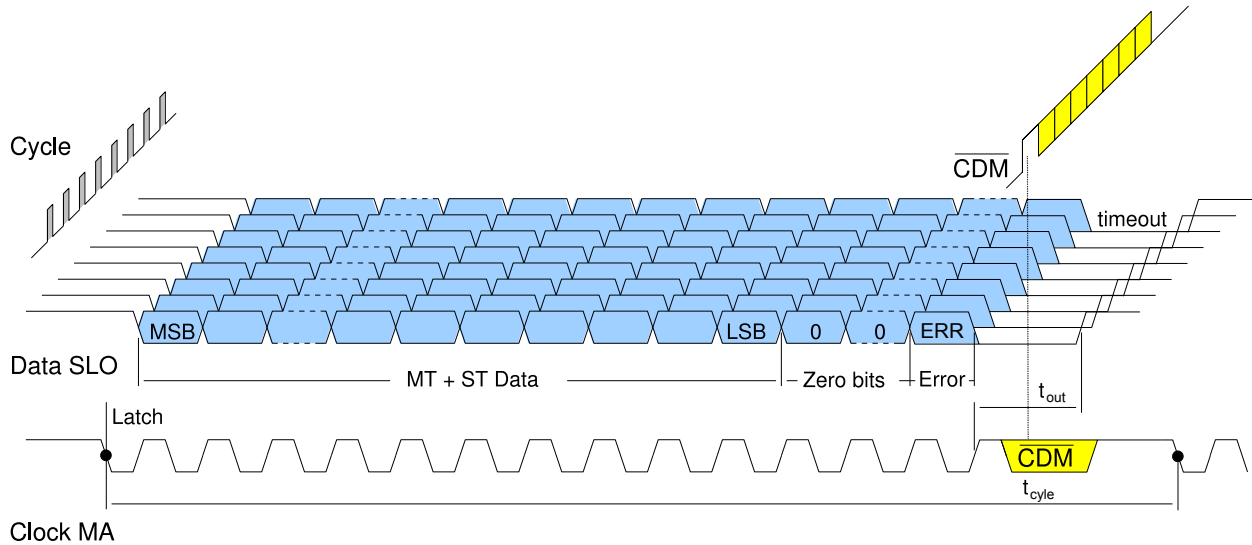


Figure 18: Example of SSI line signals (MODEA=0x5/0x6) with optional unidirectional register communication

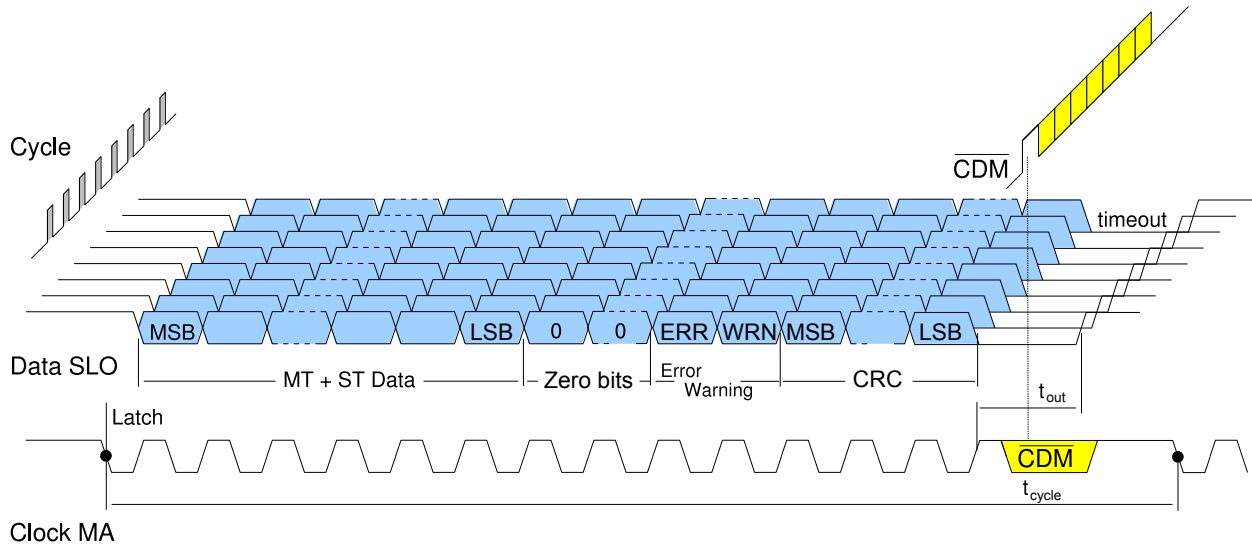


Figure 19: Example of extended SSI line signals (MODEA=0x7, ExtSSI)

MODEA	
Code	Description
0x4	Standard SSI, no error-bit
0x5	Standard SSI, error-bit low active
0x6	Standard SSI, error-bit high active
0x7	extended SSI, data-package like BiSS-C

Table 46: MODEA: SSI

In standard SSI mode singleturn data and, optionally, multiturn data, an error, and a stop zero can be transmitted. In extended SSI mode (ExtSSI) the multiturn data (optional), singleturn data, error, warning, and CRC can be read out. All data is sent with the MSB first and is equivalent to the data package that is output through BiSS.

The SSI interface of iC-MU200 can handle sensor data communication and unidirectional register communication (Advanced SSI protocol see Figure 18).

NTOA		
Addr. 0x0B; bit 3		
Code	Description	Timeout *)
0	Adaptive	t_{init}
1	Fixed	20 μ s
Note:	*) see I115, P. 11	

Table 47: Communication Timeout

It is possible to select the adaptive or the fixed timeout in SSI mode. However in order to meet the requirements of the standard SSI protocol the fixed timeout of 20 μ s should be chosen by setting NTOA to 1.

In SSI mode the sensor data can be output in binary or Gray code.

GSSI ¹	
Addr. 0x12; bit 7	
Code	Data format
0	binary coded
1	Gray coded

Table 48: Data format (for MT and ST data)

SSI interface ring operation can be activated for the repeated output of position data in SSI protocol. In this mode position data output is repeated cycle by cycle separated by a zero-bit until the internal timeout t_{out} (p. 12) is reached. After t_{out} has elapsed a new request can be made for position data. By checking the repeated position data for equality, SSI ring operation mode enables any possible transmission errors to be detected. If RSSI is deactivated zeros are subsequently output after the position data output.

RSSI	
Addr. 0x12; bit 6	
Code	Ring operation
0	normal output
1	Ring operation

Table 49: Ring operation

¹ For iC-MU200 0: Please refer to the design review on p. 64.

SPI interface: general description

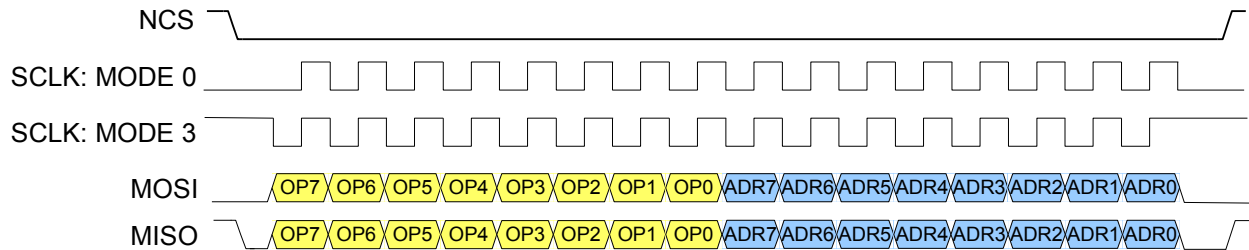


Figure 20: SPI transmission SPI-Mode 0 and 3, using opcode Read REGISTER(single) as an example

MODEA	
Code	Description
0x0	SPI _{TRI}
0x1	SPI

Table 50: MODEA: SPI

In mode SPI_{TRI} MISO (Pin PA3) is set to tristate if the slave is not selected by the master, i.e. NCS=1. This function is used for a parallel SPI bus configuration (Figure 21). In mode SPI the idle state of MISO (Pin PA3) is high if the slave is not selected by the master.

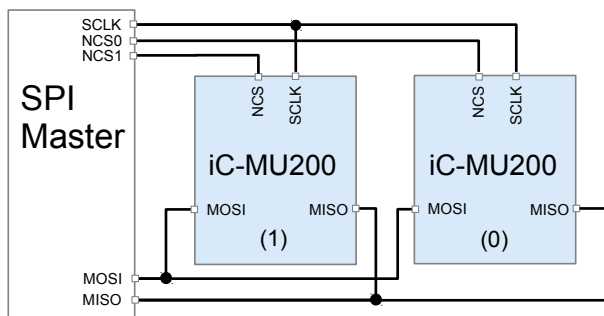


Figure 21: Example configuration SPI bus with 2 parallel Slaves

SPI modes 0 and 3 are supported, i.e. idle level of SCLK 0 or 1, acceptance of data on a rising edge. Data is sent in packages of 8 bits and with the MSB first (see Figure 20). Each data transmission starts with the master sending an opcode (Table 51) to the slave.

The following describes the typical sequence of an SPI data transmission, taking the command **Read REGISTER (single)** as an example (see Figure 20):

1. The master initializes a transmission with a falling edge at NCS.

2. iC-MU200 passes the level on from MOSI to MISO.
3. The master transmits the opcode OP and address ADR via MOSI; iC-MU200 immediately outputs OP and ADR via MISO.
4. The master terminates the command with a rising edge at NCS.
5. iC-MU200 switches its MISO output to 1 (MODEA=0x1) or tristate (MODEA=0x0).

OPCODE	
Code	Description
0xB0	ACTIVATE
0xA6	SDAD-transmission (sensor data)
0xF5	SDAD Status (no latch)
0x97	Read REGISTER(single) ²
0xD2	Write REGISTER (single) ²
0xAD	REGISTER status/data

Table 51: SPI OPCODEs

For the setup to be compatible with SPI protocol, when setting the sensor data length for the command "SDAD transmission" with parameters OUT_MSB, OUT_LSB, and OUT_ZERO, it must be ensured that the output data length is a multiple of 8 bits.

SPI interface: Command ACTIVATE

Each iC-MU200 has one RACTIVE and one PACTIVE register. These registers are used pairwise to configure the register data channel and the sensor/actuator data channel of a slave.

Using the **ACTIVATE** command, the register and sensor data channels of the connected slaves can be switched on and off. The command causes all slaves

² For iC-MU200 0: Please refer to the design review on p. 64.

to switch their RACTIVE and PACTIVE registers between MOSI and MISO and set them to 0 (slaves in daisy chain connection, Figure 24). The register and sensor/actuator data channels can be switched on and off with data bytes following the OPCODE.

After startup of iC-MU200 RACTIVE and PACTIVE is set to 1.

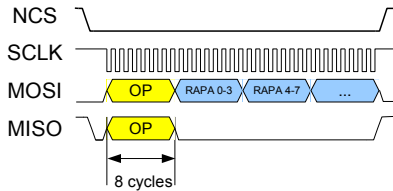


Figure 22: Set ACTIVATE: RACTIVE/PACTIVE (several slaves)

The **ACTIVATE** command resets the bits FAIL, VALID, BUSY, and DISMISS in the SPI-STATUS byte (see Table 55).

RACTIVE	
Code	Description
0	Register communication deactivated
1	Register communication activated*)
Note	*) default after startup

Table 52: RACTIVE

If RACTIVE is not set, on commands **Read REGISTER (single)**, **Write REGISTER (single)**, **REGISTER status/data** the ERROR bit is set in the SPI-STATUS byte (see Table 55) to indicate that the command has not been executed. At MISO the slave immediately outputs the data transmitted by the master via MOSI.

PACTIVE	
Code	Description
0	Sensor data channel deactivated
1	Sensor data channel activated*)
Note	*) default after startup

Table 53: PACTIVE

If PACTIVE is not set, on commands **SDAD status** and **SDAD transmission** the ERROR bit is set in the SPI-STATUS byte (see Table 55) to indicate that the command has not been executed. At MISO the slave immediately outputs the data transmitted by the master via MOSI.

If only one slave is connected up with one register and one sensor data channel, it must be ensured that the RACTIVE and PACTIVE bits come last in the data byte.

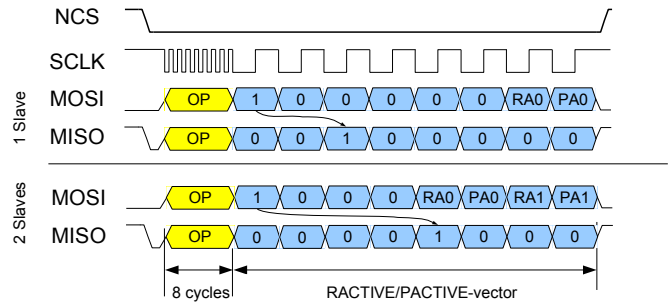


Figure 23: Set ACTIVATE: RACTIVE/PACTIVE (Example with one and two slaves (daisy chain))

An example for a daisy chain wiring of 2 SPI slaves is given in Figure 24. In order to do register communication (**Read REGISTER (single)**, **Write REGISTER (single)**, **REGISTER status/data**) with e.g. slave (1) the register communication has to be enabled explicitly for this slave and disabled for slave (0) with command **ACTIVATE** and parameter **RACTIVE**.

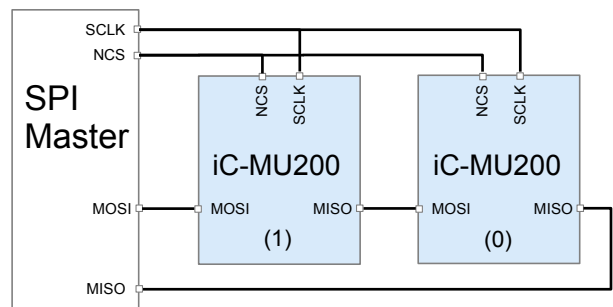


Figure 24: Example configuration with 2 Slaves (daisy chain)

SPI interface: Command SDAD transmission

iC-MU200 latches the absolute position on the first rising edge at SCLK, when NCS is at zero (REQ/LATCH). Because iC-MU200 can output the sensor data (SD) immediately, the master can transmit the **SDAD transmission** command directly. The sensor data shift register (the size of which is 8 to 40 bits in multiples of 8 using iC-MU200) is switched and clocked out between MOSI and MISO.

If invalid data is sampled in the shift register, the ERROR bit is set in the SPI-STATUS byte (see Table 55) and the output data bytes are set to zero.

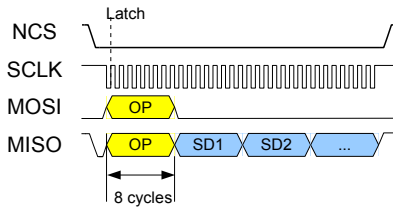


Figure 25: SDAD transmission: read SD

SPI interface: Command SDAD status

If the master does not know the processing time of the connected slaves, it can request sensor data using the command **SDAD status**. The command causes:

1. All slaves activated via PACTIVE to switch their SVALID register between MOSI and MISO.
2. The next request for sensor data started with the first rising edge at SCLK of the next SPI communication is ignored by the slave.

The end of conversion is signaled by SVALID (SV). Using this command, the master can poll to the end of conversion. The sensor data is read out via the command **SDAD transmission**.

SVALID	
Code	Description
0	Sensor data invalid
1	Sensor data valid

Table 54: SVALID

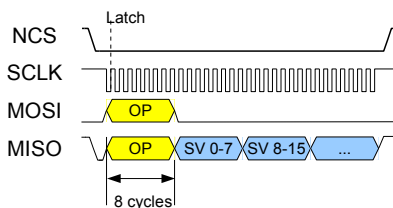


Figure 26: SDAD status

If only one slave is connected, the corresponding SVALID bit (SV0) is placed at bit position 7 in the SVALID byte.

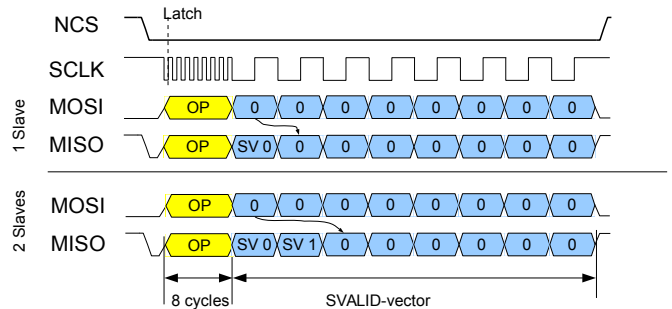


Figure 27: SDAD status (Example with one and two slaves)

Figure 28 shows the interaction of the two commands **SDAD Status** and **SDAD transmission**. It is not necessary to start each sensor data communication with the command **SDAD Status** (1). iC-MU200 has no processing time and can therefore directly output valid sensor data. Because of that the command sequence can start with **SDAD-transmission** (2). Following this, the command **REGISTER status/data** should be executed to detect an unsuccessful SPI communication.

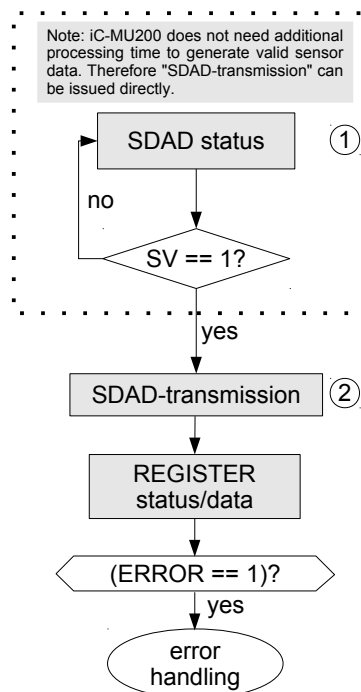


Figure 28: Example sequence of the commands SDAD Status/SDAD-transmission

SPI interface: Command Read REGISTER (single)

This command enables register data to be read out from the slave byte by byte.

The master first transmits the **Read REGISTER (single)** command and then address ADR. The slave immediately outputs the command and address at MISO.

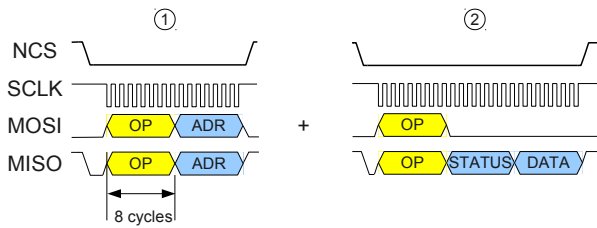


Figure 29: Read REGISTER (single): set the read address (1) + command REGISTER status/data to read-out data (2)

Following this, using the **REGISTER status/data** command (see page 37) the master can poll until the validity of the DATA following the SPI-STATUS byte is signaled via SPI-STATUS.

SPI interface: Command Write REGISTER (single)
This command enables data to be written to the slave byte by byte.

The master first transmits the **Write REGISTER (single)** command and then address ADR and the data (DATA). The slave immediately outputs the command, address, and data at MISO.

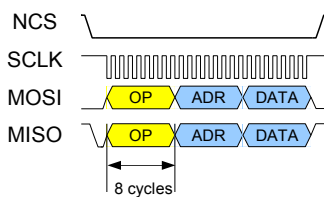


Figure 30: Write REGISTER (single); set write address and data

Using the **REGISTER status/data** command, the master can poll to the end of the register communication (signaled via the SPI-STATUS byte).

SPI interface: Command REGISTER status/data

The **REGISTER status/data** command can be used to request the status of the last register communication and/or the last data transmission. The SPI-STATUS byte contains the information summarized in Table 55.

SPI-STATUS		
Bit	Name	Description of the status report
Status bits of the SDAD and register communication		
7	ERROR	Opcode not implemented, Sensor data was invalid on readout
6..4	-	Reserved
Status bits of the register communication only		
3	DISMISS	Address rejected
2	FAIL	Data request has failed
1	BUSY	Slave is busy with a request
0	VALID	DATA is valid
Note	Display logic: 1 = true, 0 = false	

Table 55: Communication status byte

All SPI status bits are updated with each register access. The exception to the rule is the ERROR bit; this bit indicates whether an error occurred during the last SPI-communication with the slave.

The master transmits the **REGISTER status/data** opcode. The slave immediately passes the opcode on to MISO. The slave then transmits the SPI-STATUS byte and a DATA byte.

Following the commands **Read REGISTER (single)** and **Write REGISTER (single)**, the validity of the DATA byte is signaled with the VALID status bit.

The requested data byte is returned via DATA following the **Read REGISTER (single)** command. Following the **Write REGISTER (single)** command, the data to be written is repeated in the DATA byte. With all other opcodes, the DATA byte is not defined.

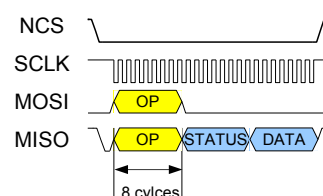


Figure 31: REGISTER status/data

Figure 32 shows the interaction of the commands **REGISTER read/write** and **REGISTER status/data**.

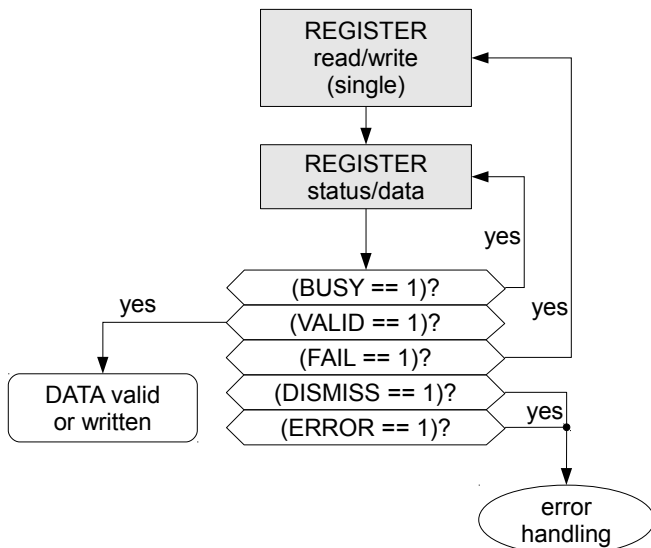


Figure 32: Example sequence of commands REGISTER read/write and REGISTER status/data

CONVERTER AND NONIUS CALCULATION

Converter principle

The system consist of two real-time tracking converters, each with a resolution of 12 bits for the master track and nonius track. Above the maximal permissible input frequency the status bits FRQ_CNV is set. The tracking converter can't follow the input signal any more. With a filter setting of type FILT1 and bigger an increased resolution of 14 bits is available.

A digital filter can be configured with FILT to reduce the noise of the digital output signals. Using this the digital angle values of the tracking converter can be filtered.

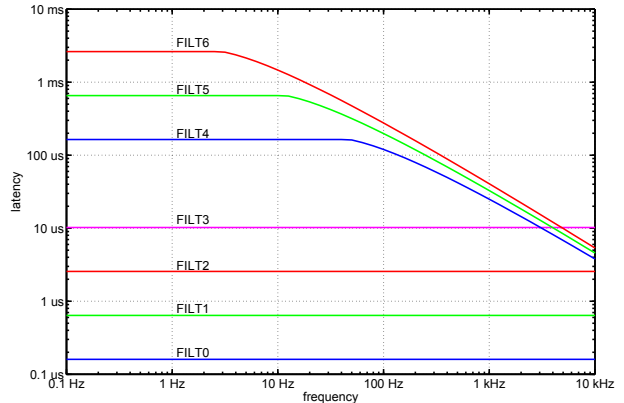


Figure 34: Filter latency

FILT Addr. 0x0E; bit 2:0				
Code	Type	noise sup-pression	latency	Interpol. MAS / NON
0x0	FILT0	0 dB	< 1 μs	12 bit
0x1	FILT1	15 dB	< 1 μs	14 bit
0x2	FILT2	21 dB	2.5 μs	14 bit
0x3	FILT3	27 dB	10 μs	14 bit
0x4	FILT4	39 dB	164 μs $f_{sin} < 50 \text{ Hz}$ 25 μs $f_{sin} < 1 \text{ kHz}$	14 bit
0x5	FILT5	45 dB	650 μs $f_{sin} < 12 \text{ Hz}$ 33 μs $f_{sin} < 1 \text{ kHz}$	14 bit
0x6	FILT6	51 dB	2.6 ms $f_{sin} < 3 \text{ Hz}$ 41 μs $f_{sin} < 1 \text{ kHz}$	14 bit
Note	Influences on the max. rotation speed with incremental output signals are shown in table 84			

Table 56: Digital filter features

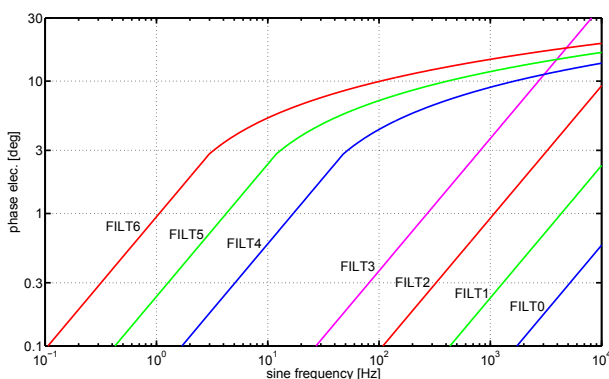


Figure 33: Phase relationship of the filters

Synchronization mode

Table 57 lists the configurable master period counts and the resulting bit lengths for nonius synchronization, and the synchronization bit length used. The parameter MPC defines thus the nonius system and has to be chosen according to the magnetic code carrier. If MPC is switched during operation, command ABS_RESET must be executed and the track offset values must be calibrated again.

MPC(3:0) Addr. 0x0F; bit 3:0				
Code	Master period count	Nonius period count	bit length	synchroni-zation bit length
0x4	16	15	4	8
0x5	32	31	5	7
0x6	64	63	6	6
for MU200 as Nonius-Multiturn *)				
0x7	128	127	7	5
0x8	256	255	8	4
0x9	512	511	9	3
0xA	1024	1023	10	2
0xB	2048	2047	11	1
0xC	4096	4095	12	0
Note	*) see page 44			

Table 57: Master period count and the resulting bit lengths

LIN selects the hall sensor arrangement to linear or rotative for axial or radial/linear scanning (see table 58).

LIN Addr. 0x0E; bit 4		
Code	Hall sensor arrangement	Type of target magnetization
0	Rotative	Axial (e.g. MU2S 30-32N)
1	Linear	Radial (e.g. MU7S 25-32N) or Linear (e.g. MUxL)

Table 58: Selection of linear/rotative hall sensors

An offset between the nonius track and the master track within one revolution can be adjusted with SPO_BASE and SPO_x (x=0-14) .

The following formula describes how the error curve based on the raw data from the master and nonius track can be calculated. 2^{MPC} is the number of sine periods of the measuring distance.

$$TOL_{SPON} = RAW_{MASTER} - RAW_{NONIUS} * \frac{2^{MPC}}{2^{MPC} - 1}$$

The maximum tolerable phase deviation for a 2-track nonius system is shown in Table 59. For the tolerable phase deviation of a 3-track nonius system please refer to Table 73 page 44.

Periods/revolution		Permissible Max. Phase Deviation [given in degree per signal period of 360°] Master ↔ Nonius
Master	Nonius	
16	15	+/- 9.84°
32	31	+/- 4.92°
64	63	+/- 2.46°

Table 59: Tolerable phase deviation for the master versus the nonius track of a 2 track nonius system (with reference to 360°, electrical)

An offset correction curve can be specified with SPO_BASE and SPO_x (x= 0-14). SPO_BASE is the start-value. SPO_0 to SPO_14 can be interpreted as slope-values. A change in the slope of the offset function can be made each 22.5°. The slope value SPO_15 is computed automatically by iC-MU200. To do this the following condition must be met:

$$\sum_{x=0}^{14} SPO_x = \{-7 \dots 7\}$$

The offset value between two slopes (e.g. SPO_0 and SPO_1) is interpolated. The computed offset is added to the converted result of the nonius track prior to synchronization and is used to calibrate the nonius to the master track. An offset value is chosen by the absolute position given by the nonius difference (master-nonius).

SPO_BASE(3:0) Addr. 0x19; bit 3:0	
SPO_BASE(3:0) Addr. SER:0x52; bit 3:0	
Code	Starting point referred to 1 revolution
0x0	0 * (22.5°/2 ^{MPC})
...	...
0x7	7 * (22.5°/2 ^{MPC})
0x8	-8 * (22.5°/2 ^{MPC})
0x9	-7 * (22.5°/2 ^{MPC})
...	...
0xF	-1 * (22.5°/2 ^{MPC})

Table 60: Nonius track offset start value

SPO_0(3:0)	Addr. 0x19; bit 7:4	Addr. SER: 0x52
SPO_1(3:0)	Addr. 0x1A; bit 3:0	Addr. SER: 0x53
SPO_2(3:0)	Addr. 0x1A; bit 7:4	Addr. SER: 0x53
SPO_3(3:0)	Addr. 0x1B; bit 3:0	Addr. SER: 0x54
SPO_4(3:0)	Addr. 0x1B; bit 7:4	Addr. SER: 0x54
SPO_5(3:0)	Addr. 0x1C; bit 3:0	Addr. SER: 0x55
SPO_6(3:0)	Addr. 0x1C; bit 7:4	Addr. SER: 0x55
SPO_7(3:0)	Addr. 0x1D; bit 3:0	Addr. SER: 0x56
SPO_8(3:0)	Addr. 0x1D; bit 7:4	Addr. SER: 0x56
SPO_9(3:0)	Addr. 0x1E; bit 3:0	Addr. SER: 0x57
SPO_10(3:0)	Addr. 0x1E; bit 7:4	Addr. SER: 0x57
SPO_11(3:0)	Addr. 0x1F; bit 3:0	Addr. SER: 0x58
SPO_12(3:0)	Addr. 0x1F; bit 7:4	Addr. SER: 0x58
SPO_13(3:0)	Addr. 0x20; bit 3:0	Addr. SER: 0x59
SPO_14(3:0)	Addr. 0x20; bit 7:4	Addr. SER: 0x59
Code	Slope referred to 1 revolution	
0x0	0 * (22.5°/2 ^{MPC})	
...	...	
0x7	7 * (22.5°/2 ^{MPC})	
0x8	-8 * (22.5°/2 ^{MPC})	
0x9	-7 * (22.5°/2 ^{MPC})	
...	...	
0xF	-1 * (22.5°/2 ^{MPC})	
Note	$\sum_{x=0}^{14} SPO_x = \{-7 \dots 7\} * (22.5°/2^{MPC})$	

Table 61: Nonius track offset slopes

SPO_15(3:0) Addr. SER:0x5A; bit 3:0	
Code	Slope
0x0	-
...	is automatically computed: $-\sum_{x=0}^{14} SPO_x$
0xF	-
Note	internal register, not readable via serial interface

Table 62: Nonius track offset slope (is automatically computed)

The principle is shown in Figure 35. The red curve corresponds to the error curve of the nonius difference absolute within 360°. By taking the blue marked SPO_x curve it is shown, that the nonius difference can be changed in a way that the resulting green curve is in the valid synchronization range. It can be seen that

an error within 22.5° (in the Figure between 67.5° and 90°) can not be corrected. For SPO_0 the range of a possible slope change is exemplary shown.

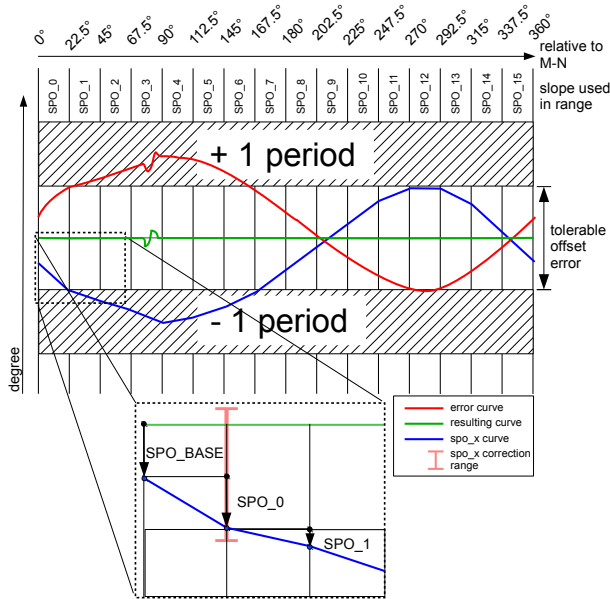


Figure 35: Nonius track offset calibration

Following the first nonius synchronization the number of exceeded periods is counted and output. Using NCHK_NON the system can be configured to check the internal period counter against the period given by the code disc at regular intervals. Command NON_VER explicitly requests nonius verification. If an error is found during verification of the nonius, bit NON_CTR is set in status register STATUS1.

Figure 36 describes the principle of nonius synchronization with verification, with φ representing the respective digitized angle of the relevant track.

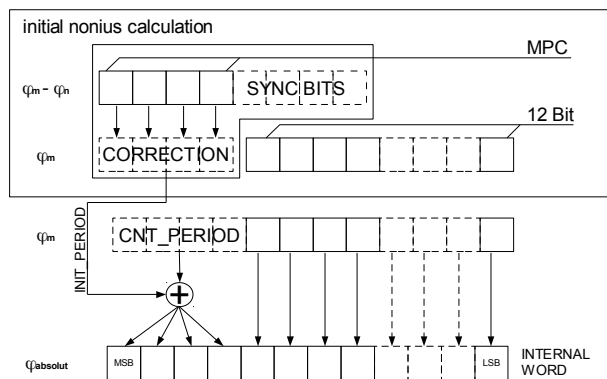


Figure 36: Principle of nonius synchronization

NCHK_NON Addr. 0x0D; bit 5	
Code	Description
0	automatic period verification
1	no automatic period verification

Table 63: Automatic nonius period verification

The nonius data and incremental interface can be automatically reset with ACRM_RES if the master amplitude is too low. The incremental section is reset as soon as the amplitude control unit indicates that the master amplitude is too low (AM_MIN occurs, see Table 102). The ABZ-interface shows position 0 as default. When the master amplitude is again in its set range, a new nonius calculation is carried out and the incremental section is restarted.

ACRM_RES Addr. 0x0D; bit 4	
Code	Description
0	no automatic reset
1	automatic reset active

Table 64: Automatic Reset triggered by AM_MIN

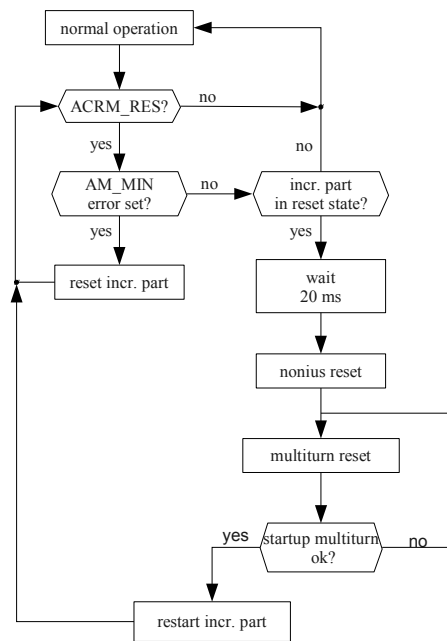


Figure 37: Automatic reset ACRM_RES

MT INTERFACE

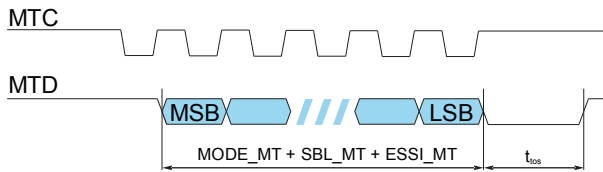


Figure 38: Example of multiturn SSI line signals

Configuration of the Multiturn interface

iC-MU200 can read in and synchronize binary data from an external SSI sensor through the serial multiturn interface. On startup the first data value read in determines the start value of the internal multiturn counter. After startup the multiturn counter counts the ST cycles. If there is an error reading the external multiturn during startup, the read-in will be repeated.

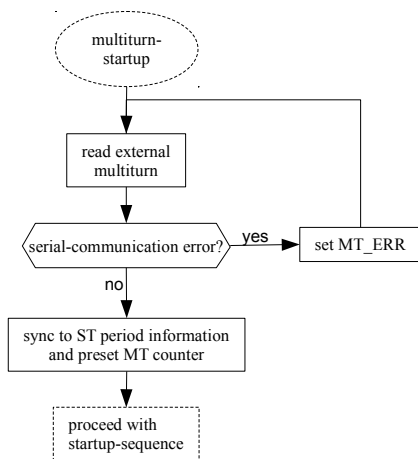


Figure 39: Error handling during startup

If the MT interface is not used (MODE_MT = 0x0), the internal 24-bit MT counter can extend the singleturn information to include the counted ST cycles. To access the internal MT counter increase parameter OUT_MSB accordingly.

For exclusive multiturn systems a 4, 8, 12, 16 or 18-bit multiturn data value can be read in (MODE_MT = 0xB-0xE).

There is also the possibility to interpret a part of the external multiturn data value as singleturn data (MODE_MT = 0x1-0xA). This influences the incremental output signals, UVW commutation signals and data output in MODE_ST = 0x01 (FlexCount®). For further information see **Construction of a Multiturn system with two iC-MU200** p. 44.

MODE_MT(3:0) Addr. 0x10; bit 3:0			
Code	Function	Code	Function
0x0	no external data	0x8	4 *) + 12 bits
0x1	1 *) bit	0x9	5 *) + 12 bits
0x2	2 *) bits	0xA	6 *) + 12 bits
0x3	3 *) bits	0xB	4 bits
0x4	4 *) bits	0xC	8 bits
0x5	5 *) bits	0xD	12 bits
0x6	6 *) bits	0xE	16 bits
0x7	3 *) + 12 bits	0xF	18 bits
Notes:	*) data interpreted as ST If MPC ≥ 0x07 than MODE_MT has to be set to 0x0 or 0xD		

Table 65: MT interface operating mode

For synchronization a synchronization bit length must be set with SBL_MT. Synchronization takes place between the external multiturn data read in and the ST period information counted internally (see Fig. 41). Synchronization can take place automatically within the relevant phase tolerances.

SBL_MT(1:0) Addr. 0x10; bit 5:4		
Code	MT synchronization bit length	synchronization tolerance (ST-resolution)
0x0	1 bit	± 90°
0x1	2 bits	± 90°
0x2	3 bits	± 135°
0x3	4 bits	± 157.5°

Table 66: MT synchronization bit length

Figure 40 shows the principle of a 2 bit MT synchronization for ideal signals (without indication of synchronization tolerance limits).

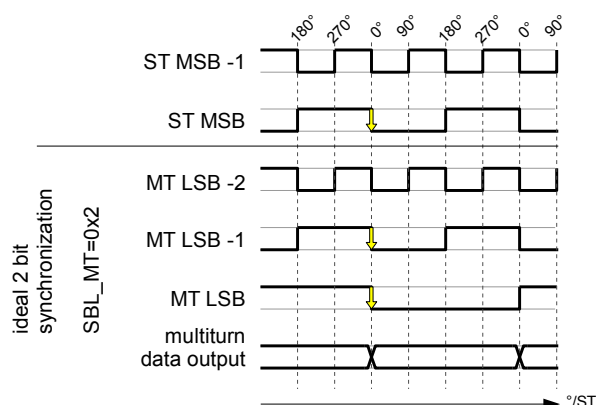


Figure 40: Principle of 2 bit MT synchronization

The code direction of the read multiturn data can be inverted using parameter ROT_MT.

ROT_MT		Addr. 0x0E; bit 5
Code	Function	
0	no inversion of code direction	
1	inversion of code direction	

Table 67: Inverted code direction of external multiturn

The parameter ESSI_MT configures the evaluation of an optional error-bit send by the external multiturn device.

ESSI_MT		Addr. 0x0E; bit 7:6
Code	Function	
0x0	no error bit	
0x1	1 error-bit low active	
0x2	reserved	
0x3	1 error-bit high active	

Table 68: Evaluation of an error-bit of the external multiturn

The SSI parity and warning bit are not supported by iC-MU200 and need to be deactivated in the external multiturn sensor.

The total data length of the external read multiturn data word is determined by:

$$\text{data_length_ext_mt} = \text{Bits}(\text{MODE_MT}) + \text{Bits}(\text{SBL_MT}) + \text{Bits}(\text{ESSI_MT})$$

The parameter SPO_MT allows to balance an existing static offset between the singleturn and the multiturn. The offset is added before the synchronization of the read multiturn data (see Figure 41).

SPO_MT		Addr. 0x0F; bit 7:4
Code	Function	
0x0	multiturn offset	
...		
0xF		

Table 69: Offset of external multiturn

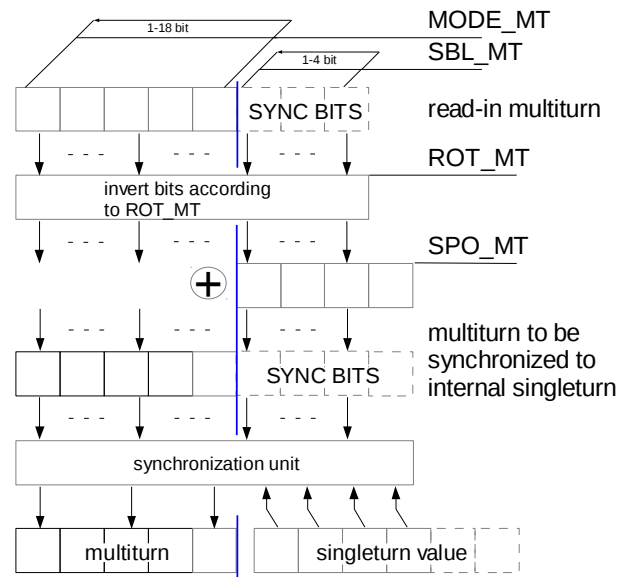


Figure 41: Parameters to configure external multiturn

CHK_MT can be used to verify the counted multiturn at regular intervals. Verification can also be requested using command MT_VER. A multiturn verification error (comparison of the internal MT counter with the external multiturn data) is reported on status bit MT_CTR.

CHK_MT		Addr. 0x10; bit 6
Code	Function	
0	no verification	
1	periodical verification	

Table 70: Multiturn verification

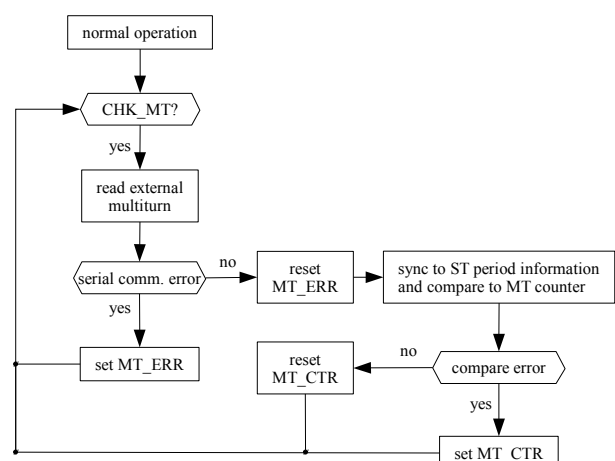


Figure 42: Error handling in normal operation with cyclic verification of the period counter

Construction of a Multiturn system with two iC-MU200

A 3 track nonius system can be build using two iC-MU200. The singleturn iC-MU200 (1) can be configured to interpret 3, 4, 5, or 6 bits of the read multiturn data as singleturn data (ST) (see Table 65). The output through the incremental interface, the UVW interface and the serial interface in MODE_ST = 0x1 (FlexCount) of iC-MU200 (1) is then absolute with this additional information.

The construction of such a system is shown as an example in Figure 43 and the configuration in Table 71.

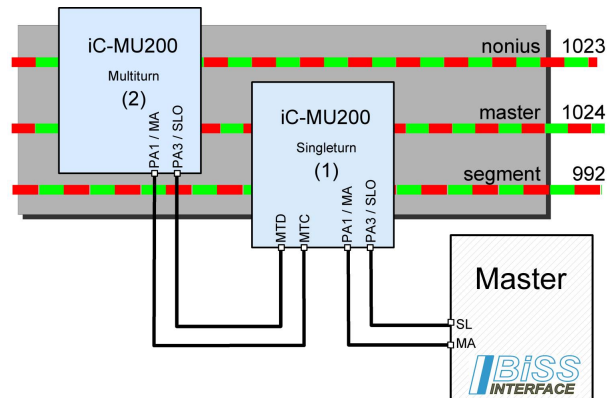


Figure 43: 3-track nonius with 2 iC-MU200

Table 72 shows the possible settings for a 3-track nonius systems with 2 iC-MU200 and the resulting periods/revolution of the tracks. The maximum phase deviation of the tracks is summarized in Table 73.

Master Periods	128	256	512	1024
iC-MU200 (1): singleturn				
Parameter	Value	Value	Value	Value
MPC	0x04	0x04	0x05	0x05
MODE_MT	0x03	0x04	0x04	0x05
SBL_MT	0x03	0x03	0x03	0x03
ROT_MT	0x01	0x01	0x01	0x01
NCHK_NON	0x00	0x00	0x00	0x00
CHK_MT	0x01	0x01	0x01	0x01
ESSI_MT	0x01	0x01	0x01	0x01
LIN	0x01	0x01	0x01	0x01
OUT_LSB	0x00	0x00	0x00	0x00
OUT_MSB	0x07	0x08	0x09	0x0A
iC-MU200 (2): multiturn				
Parameter	Value	Value	Value	Value
MPC	0x07	0x08	0x09	0x0A
MODE_MT	0x00	0x00	0x00	0x00
MODE_ST	0x00	0x00	0x00	0x00
ROT	0x00	0x00	0x00	0x00
NCHK_NON	0x00	0x00	0x00	0x00
GSSI	0x00	0x00	0x00	0x00
MODEA	0x05	0x05	0x05	0x05
LIN	0x01	0x01	0x01	0x01
OUT_LSB	0x0E	0x0E	0x0F	0x0F
OUT_MSB	0x07	0x08	0x09	0x0A

Table 71: Configuration example for the 3-track nonius systems of 128, 256, 512 and 1024 master periods

MPC		Periods/revolution			ST Periods [Bit]	
(2)	(1)	Master	Segm.	Nonius	from MT(2)	from ST(1)
0x7	0x4	128	120	127	3	4
0x8	0x4	256	240	255	4	4
0x9	0x5	512	496	511	4	5
0xA	0x5	1024	992	1023	5	5
0xB	0x6	2048	2016	2047	5	6
0xC	0x6	4096	4032	4095	6	6

Table 72: Settings for a 3-track nonius system using 2 iC-MU200

Periods/revolution			Permissible Max. phase deviation [given in degree per signal period of 360°]	
Master	Segm.	Nonius	Master ↔ Segm. (1)	Master ↔ Non.* (2)
128	120	127	+/-9.84°	+/-19.68°
256	240	255	+/-9.84°	+/-9.84°
512	496	511	+/-4.92°	+/-9.84°
1024	992	1023	+/-4.92°	+/-4.92°
2048	2016	2047	+/-2.46°	+/-4.92°
4096	4032	4095	+/-2.46°	+/-2.46°
Note	*) with SBL_MT=0x3			

Table 73: Tolerable phase deviation for the master versus the nonius or segment track of a 3-track nonius system (with reference to 360°, electrical)

Figure 44 shows the principle of the synchronization of the data from iC-MU200 (2) to iC-MU200 (1).

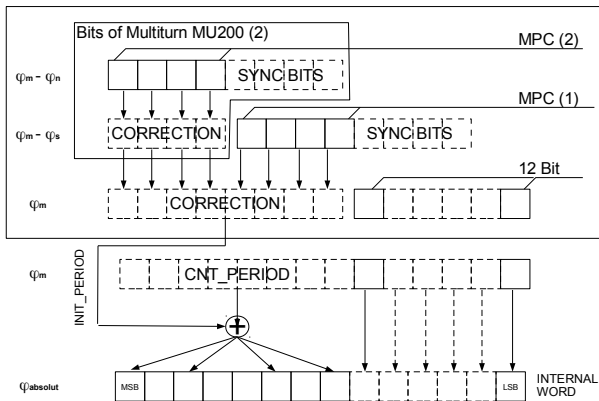


Figure 44: Principle of the synchronization of a 3-track nonius system using 2 iC-MU200 without further multitrurn data

To facilitate the initial configuration of an iC-MU200 as a SSI multitrurn device the command SWITCH can be used (see page 58). The singleturn iC-MU200 (1) in Figure 43 has to enable the direct communication to the multitrurn sensor by setting GET_MT to 1. The configuration of iC-MU200 (2) can take place using the BiSS protocol. After the configuration of the external multitrurn MODEA_NEW and RPL_NEW are used to set the target configuration of MODEA and RPL. After that the command SWITCH is executed. By reading STATUS1 it is possible to control if there was an error while executing the command. After the next startup or after the execution of the command SOFT_RESET iC-MU200 starts with the interface configured with MODEA_NEW and RPL_NEW.

MT Interface Daisy Chain

The MT interface daisy chain mode gives direct access to an external multitrurn sensor for calibration purposes.

MODEA	
Code	Function
0x2	BiSS
0x5	SSI+ERRL
0x6	SSI+ERRH
0x7	ExtSSI

Table 74: MT Interface Daisy Chain: Possible MODEA configuration

Making use of the BiSS Interface bus capabilities, iC-MU200 can connect the external multitrurn sensor to the BiSS master controller in modes MODEA = 0x02 (BiSS) and MODEA = 0x05-0x07 (SSI with Error bit and ExtSSI; additional condition RSSI = 1) when GET_MT is enabled.

To this end input pin MA (PA1) receiving the BiSS master's clock signal is fed through to output pin MTC and the input pin MTD is activated in place of the input pin SLI (PA2). Upon enabling this mode the single cycle timeout (see Fig. 3) must have elapsed and an additional init command carried out by the BiSS master, before it can run the first register communication.

Note:

Additional condition RSSI = 1 when using GET_MT and MODEA = 0x05, 0x06 or 0x07.

Hint:

First set GET_MT then RSSI to activate direct communication to Multitrurn Sensor in SSI modes.

Example: external multitrurn sensor built with iC-MU200 is connected to the MT interface of a first iC-MU200, preparing the singleturn data. With GET_MT enabled, the external multitrurn can then be addressed via BiSS ID 0 and the singleturn via BiSS ID 1. This temporal chain operation simplifies device parametrization during encoder manufacturing.

GET_MT	
Addr. 0x10; bit 7	
Code	Function
0	Disabled
1	MT interface daisy chain

Table 75: Direct BiSS communication enable for MT sensor via I/O Interface

INCREMENTAL OUTPUT ABZ, STEP/DIRECTION AND CW/CCW

MODEA	
Code	Description
0x3	ABZ
MODEB	
Code	Description
0x0	ABZ
0x2	Step/Direction
0x3	CW/CCW Incremental
Note:	It is not possible to select an incremental interface on MODEA and MODEB simultaneously

Table 76: MODEA/MODEB: ABZ, step/direction and CW/CCW

The resolution of incremental signals ABZ can be programmed for each singleturn cycle within a range of 4 to 262,144 edges using the internal FlexCount®. The number of master periods which is equivalent to a singleturn cycle is defined by the settings in register MPC (Table 57).

RESABZ(7:0)	Addr. 0x13; bit 7:0	
RESABZ(15:0)	Addr. 0x14; bit 7:0	
Code	Resolution	Interpolation factor
0x0000	4	1
0x0001	8	2
...
0xFFFF	262,144	65,536
Note:	For non-binary resolutions above 32,768 (0x2000) the relative error increases	

Table 77: FlexCount®- Resolution

In linear application the min. increment of the incremental output (FlexCount) can be calculated as follows:

$$\frac{MPC * magnetic\ period}{max.\ resolution\ FlexCount} = min.\ increment\ linear$$

Example with MPC = 0x5 (master period count 32):

$$\frac{32 * 4.00mm}{262144} = 488.3nm$$

Note:

In linear applications the min. increment of 244nm can be read via the serial interfaces for MODE_ST = 0x0 (output absolute position) independent of the selected MPC.

Figure 45 shows the ABZ, step/direction, and CW/CCW signals. The length of a signal A or B cycle is defined

by φ_{360AB} as a range between two rising edges of an A or B signal.

φ_{hys} represents the hysteresis which must be exceeded before further edges are generated at the incremental interface.

Minimum edge distance t_{mtd} is the minimum time which must have elapsed before another event can be output at the incremental interface.

The length of the Z pulse with setting ZLEN = 0x00 is defined by φ_{z90} .

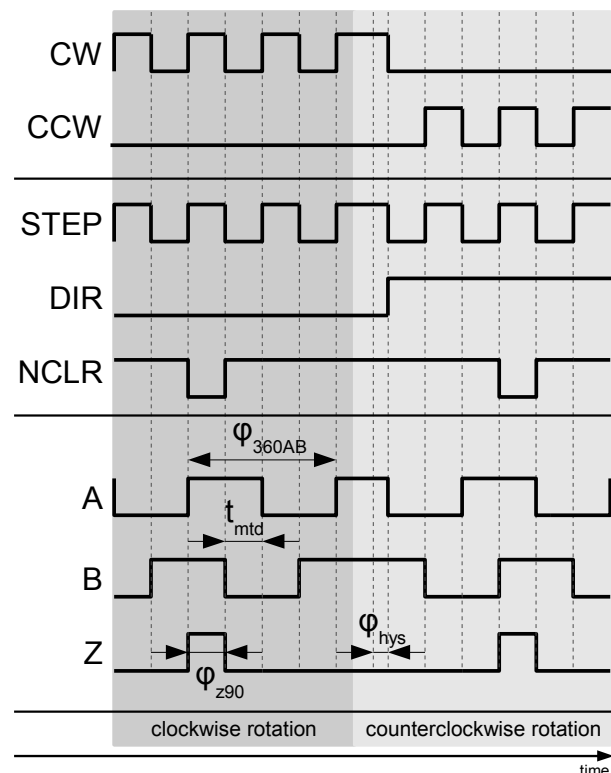


Figure 45: Definition of the ABZ, STEP/DIR, and CW/CCW signals

The phase position of the incremental output signals can be inverted using the relevant configuration bit INV_x (x = A,B,Z).

INV_A		Addr. 0x16; bit 2
Code	A/STEP/CW-Signal	
0	normal	
1	inversion	

Table 78: Inversion A-Signal

INV_B		Addr. 0x16; bit 1
Code	B/DIR/CCW-Signal	
0	normal	
1	inversion	

Table 79: Inversion B-Signal

INV_Z		Addr. 0x16; bit 0
Code	Z/NCLR-Signal	
0	normal	
1	inversion	

Table 80: Inversion Z-Signal

Index pulse Z can be programmed in four lengths. The position of the index pulse in relation to the A/B signals is shown in Figure 46.

LENZ(1:0)		Addr. 0x16; bit 7:6
Code	Z-pulse length	
0x0	90°	
0x1	180°	
0x2	270°	
0x3	360°	

Table 81: Index pulse length

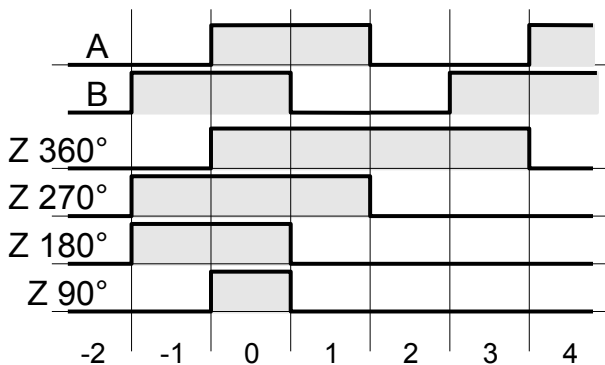


Figure 46: Index pulse length settings

The position data code direction of the incremental output signals ABZ, STEP/DIRECTION and CW/CCW can be inverted with the parameters ROT_ALL and ROT_POS. Both parameters are EXOR-gated and together comprise the internal code direction signal for the incremental output signals (Figure 47).

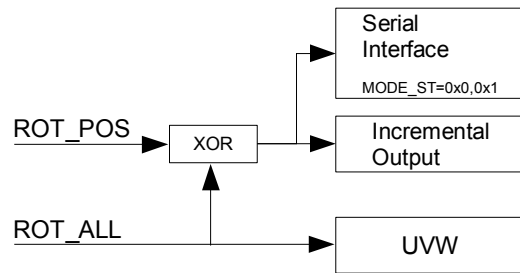


Figure 47: Effect of ROT_ALL and ROT_POS on position data code direction

Note:

Parameter ROT_ALL affects the output of the data word through the serial interface in MODE_ST = 0x0 and 0x1, the incremental outputs and the UVW-interface.

Parameter ROT_POS affects the output of the data word through the serial interface in MODE_ST = 0x0 and 0x1 and the incremental outputs.

For the description of the commands ROT_POS and ROT_POS_E2P see P.58.

ROT_ALL		Addr. 0x15; bit 7
Code	Description	
0	no inversion of code direction	
1	inversion of code direction	
Notes:	no effect in MODE_ST = 2 (raw-data) for the data output of the serial interface ROT_POS can change the code direction in MODE_ST = 0x0 and 0x1, incremental outputs	

Table 82: Inversion of the code direction for the serial interface in MODE_ST = 0x0 and 0x1, incremental outputs and UVW-interface

ROT_POS		Addr. 0x23; bit 0
ROT_POS		
Code	ROT_ALL = 0	ROT_ALL = 1
0	no inversion of code direction	inversion of code direction
1	inversion of code direction	no inversion of code direction
Note:	no effect in MODE_ST = 2 (raw-data) for the data output of the serial interface and on UVW-interface	

Table 83: Resulting inversion of code direction for the serial interface in MODE_ST = 0x0 and 0x1, incremental outputs

Parameter SS_AB must be configured depending on the maximum speed. With a filter setting of FILT = 0x00 (Table 56), correspondingly higher SS_AB step size values must be programmed. The maximum possible resolution of the incremental count signal is limited by

the selected step size. The FRQ_ABZ status bit is set in the case of an unacceptable high speed.

SS_AB(1:0)		Addr. 0x15; bit 5:4			
Code	max res.	FILT	max. rotation speed *)		
			MPC = 0x4 (16/15)	MPC = 0x5 (32/31)	MPC = 0x6 (64/63)
0x0	2 ¹⁸	0x0 ≥ 0x1	don't use 6000 rpm	don't use 6000 rpm	1500 rpm 6000 rpm
0x1	2 ¹⁷	0x0 ≥ 0x1	don't use 12000 rpm	3000 rpm 12000 rpm	3000 rpm 6000 rpm
0x2	2 ¹⁶	0x0 ≥ 0x1	6000 rpm 24000 rpm	6000 rpm 12000 rpm	6000 rpm 6000 rpm
0x3	2 ¹⁵	0x0 ≥ 0x1	12000 rpm 24000 rpm	12000 rpm 12000 rpm	6000 rpm 6000 rpm
Note:	*) FRQAB = 0x0				

Table 84: System AB step size and limitation of rotation frequency

The minimum edge distance t_{mtd} of the ABZ, STEP/DIR or CW/CCW interface can be limited by setting the maximum output frequency with FRQAB. It can be used to adjust the output frequency to a frequency limit given by an external ABZ, STEP/DIR or CW/CCW counter device.

FRQAB(2:0)		Addr. 0x15; bit 2:0	
Code	Output frequency AB	Edge distance t_{mtd}	
0x0	6.25 MHz	40 ns	
0x1	3.13 MHz	80 ns	
0x2	1.56 MHz	160 ns	
0x3	781.25 kHz	320 ns	
0x4	390.63 kHz	640 ns	
0x5	195.31 kHz	1.28 μs	
0x6	48.83 kHz	5.12 μs	
0x7	12.2 kHz	20.48 μs	

Table 85: AB output frequency

The incremental counter has an integrated hysteresis which prevents multiple switching of the incremental signals at the reversing point. Hysteresis φ_{hys} must first be exceeded before edges can again be generated at A or B. This hysteresis can be set within a range of 0° to 0.35° according to Table 86 and is referenced to 360° of a singleturn cycle.

CHYS_AB(1:0)		Addr. 0x16; bit 5:4	
Code	Hysteresis	parameter SS_AB	
0x0	0.0014°	0x0	
0x0	0.0041°	0x1	
0x0	0.0096°	0x2	
0x0	0.021°	0x3	
0x1	0.175°	d.c.	
0x2	0.35°	d.c.	
0x3	0.7°	d.c.	
Note:	d.c.: don't care		

Table 86: Hysteresis with an inverted direction of rotation

The parameter ENIF_AUTO selects whether at startup the incremental interface is enabled after the converter has found its operating point or if the counting to the absolute angle can be seen at the incremental interface.

ENIF_AUTO		Addr. 0x15; bit 4	
Code	Description		
0	counting to operating point visible		
1	counting to operating point not visible		

Table 87: Incremental interface enable

See the chapter on the preset function (p. 62) to set the offset for ABZ output.

UVW COMMUTATION SIGNALS

MODEB	
Code	Description
0x1	UVW

Table 88: MODEB: UVW

iC-MU200 can generate commutation signals for BLDC motors from 1 up to 16 pole pairs. The hysteresis is set fixed to 0.0879° referenced to a mechanical revolution.

Figure 48 shows the commutation sequence for a motor with 6 pole pairs. Here, a commutation sequence spanning an angle of φ_{360UVW} repeats itself 6 times within one mechanical revolution of the motor. The phase shift between the commutation signals is 120° .

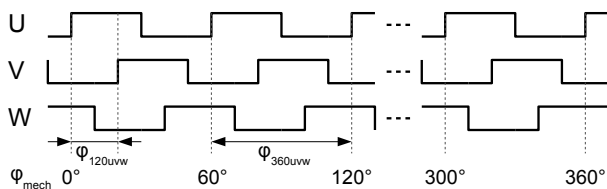


Figure 48: commutation signals UVW

Using parameter PPUVW the number of commutation sequences per mechanical revolution can be set.

PPUVW(5:0) Addr. 0x17; bit 5:0			
Code	number of pole pairs	Code	number of pole pairs
0x02	1 pole pair	0x1A	9 pole pairs
0x05	2 pole pairs	0x1D	10 pole pairs
0x08	3 pole pairs	0x20	11 pole pairs
0x0B	4 pole pairs	0x23	12 pole pairs
0x0E	5 pole pairs	0x26	13 pole pairs
0x11	6 pole pairs	0x29	14 pole pairs
0x14	7 pole pairs	0x2C	15 pole pairs
0x17	8 pole pairs	0x2F	16 pole pairs

Table 89: Number of commutation signal pole pairs

The sequence of the commutation signals can be selected by φ_{120UVW} as in Figure 48 or with a distance of 60° between two neighboring rising edges referenced to one UVW cycle using parameter PP60UVW.

PP60UVW Addr. 0x16; bit 3	
Code	Phase UVW signals
0	120° phase shift
1	60° phase shift

Table 90: Commutation signal phase length

Register OFF_UVW is used to set the start angle and compensate for the offset between the winding of the BLDC and the Hall sensor signals. This angle can be set with 12 bits.

Note:

After startup or the commands SOFT_RESET and ABS_RESET the OFF_UVW values are amended to include the nonius data, with a configured multi-turn updated with the multiturn data, and stored as OFF_COM in the internal RAM.

OFF_UVW(3:0)	Addr. 0x28; bit 7:4
OFF_UVW(11:4)	Addr. 0x29; bit 7:0
OFF_UVW(3:0)	Addr. SER:0x4B; bit 7:4
OFF_UVW(11:4)	Addr. SER:0x4C; bit 7:0
Code	Offset UVW signals
0x000	0.00° mech
0x001	0.09° mech
...	$\frac{360.0^\circ \text{ mech}}{4096} \cdot \text{OFF_UVW}$
0xFFFF	359.9° mech

Table 91: Commutation signal start angle

OFF_COM(3:0)	Addr. SER:0x23; bit 7:4	R
OFF_COM(11:4)	Addr. SER:0x24; bit 7:0	R
Code	Description	
0x000	start angle commutation signal (automatically computed)	
...		
0xFFFF		

Table 92: Commutation signal start angle amended by the nonius/MT

The code direction of the UVW-signals can be inverted with parameter ROT_ALL.

Note:

Parameter ROT_ALL affects the output of the data word of the serial interface in MODE_ST=0x0 and 0x1, the incremental outputs (ABZ) and the UVW-interface.

ROT_ALL Addr. 0x15; bit 7	
Code	Description
0	no inversion of code direction
1	inversion of code direction

Table 93: Inverted code direction

REGISTER ACCESS THROUGH SERIAL INTERFACE (SPI AND BISS)

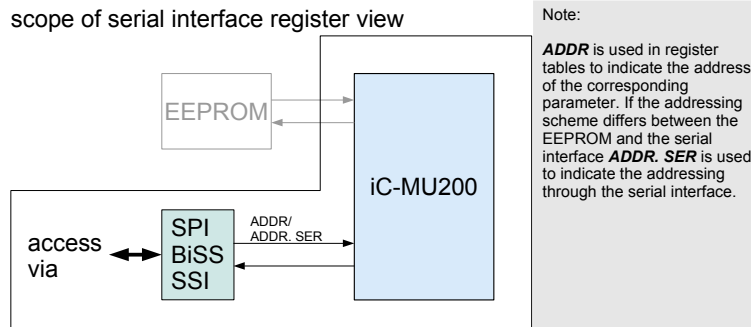


Figure 49: Scope of register mapping serial interface

The distribution of addresses in iC-MU200 corresponds to the document BiSS C Protocol Description which can be downloaded at www.biss-interface.com.

The address translation for the addressable memory areas via the bank register to the EEPROM addresses is shown in Table 95.

iC-MU200 supports an addressing scheme using banks. Therefore the internal address space is divided into banks of 64 bytes each. The address sections visible via the I/O interface recognizes a "dynamic" section (addresses 0x00 to 0x3F) and a "static" section which is permanently visible (addresses 0x40 to 0x7F). The static address section is always visible independent of the bank currently selected. Figure 51 illustrates how the banks selected by BANKSEL are addressed.

Code	Bank	Memory location during operation	Mode
CONF	0	internal register	iC-MU200 configuration data
EDS	1	E2P: 0x040-0x07F	<u>E</u> lectronic- <u>D</u> ata- <u>S</u> heet
	
	4	E2P: 0x100-0x13F	
USER	5	E2P: 0x140-0x17F	OEM data, free user area
	
	31	E2P: 0x7C0-0x7FF	

BANKSEL(4:0) Addr. SER:0x40; bit 4:0	
Code	Description
0x0	Selection of the memory bank
...	
0x1F	

Table 95: Address translation Addr Ser: 0x00-0x3F

Table 94: Register to select a memory bank

The abbreviation *Addr. SER* used in the register tables of the specification of the iC-MU200 stands for the addressing of this register through the serial interface.

After startup the BANKSEL register is set to 0.

Note: Burst mode is not supported by iC-MU200 for write access to the registers. Data has to be written byte-by-byte.

CONF: Bank 0, Addresses 0x00-0x3F								
Addr. SER	Bit 7	Bit 6	Bit 5	Bit 4	Bit 3	Bit 2	Bit 1	Bit 0
0x00	GC_M(1:0)		GF_M(5:0)					
0x01	GX_M(6:0)							
0x02	VOSS_M(6:0)							
0x03	VOSC_M(6:0)							
0x04	PHR_M	PH_M(6:0)						
0x05	ENAC	CIBM(3:0)						
0x06	GC_N(1:0)		GF_N(5:0)					
0x07	GX_N(6:0)							

iC-MU200 MAGNETIC OFF-AXIS POSITION ENCODER - POLE WIDTH 2.00MM



Rev A3, Page 51/66

CONF: Bank 0, Addresses 0x00-0x3F									
Addr. SER	Bit 7	Bit 6	Bit 5	Bit 4	Bit 3	Bit 2	Bit 1	Bit 0	
0x08	VOSS_N(6:0)								
0x09	VOSC_N(6:0)								
0x0A	PHR_N	PH_N(6:0)							
0x0B	MODEB(2:0)				NTOA	MODEA(2:0)			
0x0C	CFGEW(7:0)								
0x0D	ACC_STAT	NCHK_CRC	NCHK_NON	ACRM_RES	EMTD(2:0)				
0x0E	ESSI_MT(1:0)		ROT_MT	LIN	FILT(2:0)				
0x0F	SPO_MT(3:0)				MPC(3:0)				
0x10	GET_MT	CHK_MT	SBL_MT(1:0)		MODE_MT(3:0)				
0x11	OUT_ZERO(2:0)			OUT_MSB(4:0)					
0x12	GSSI	RSSI	MODE_ST(1:0)		OUT_LSB(3:0)				
0x13	RESABZ(7:0)								
0x14	RESABZ(15:8)								
0x15	ROT_ALL	SS_AB(1:0)		ENIF_AUTO	FRQAB(2:0)				
0x16	LENZ(1:0)		CHYS_AB(1:0)		PP60UVW	INV_A	INV_B	INV_Z	
0x17	RPL(1:0)		PPUVW(5:0)						
0x18	TEST(7:0)								
0x19	RESERVED								
...									
0x1D	RESERVED								
0x1E	OFF_ABZ(3:0)				RESERVED			ROT_POS	
0x1F	OFF_ABZ(11:4)								
0x20	OFF_POS*(19:12)								
0x21	OFF_POS*(27:20)								
0x22	OFF_POS*(35:28)								
0x23	OFF_COM**(3:0)				RESERVED				
0x24	OFF_COM**(11:4)								
0x25	PA0_CONF(7:0)								
0x26	RESERVED								
...									
0x2A	RESERVED								
0x2B	RESERVED			ACGAIN_M(1:0)		AFGAIN_M(2:0)			
0x2C	RESERVED								
...									
0x2E	RESERVED								
0x2F	RESERVED			ACGAIN_N(1:0)		AFGAIN_N(2:0)			
0x30	RESERVED								
...									
0x3F	RESERVED								
Note:	* OFF_ABZ value amended to include nonius/multiturn information ** OFF_UVW value amended to include nonius information								

Table 96: Register mapping bank 0, addresses 0x00-0x3F (access via serial interface)

OFF_POS* are the offset values (OFF_ABZ) automatically changed by the period information of the initial nonius calculation and if configured by the external multiturn data. OFF_POS can thus be seen as a start value for the internally counted ST period and MT data.

iC-MU200 MAGNETIC OFF-AXIS POSITION ENCODER - POLE WIDTH 2.00MM



Rev A3, Page 52/66

Static part: Addresses 0x40-0xBF									
Addr. SER	Bit 7	Bit 6	Bit 5	Bit 4	Bit 3	Bit 2	Bit 1	Bit 0	
0x40				BANKSEL(4:0)					
0x41	EDSBANK(7:0)								
0x42	PROFILE_ID(7:0)								
0x43	PROFILE_ID(15:8)								
0x44	SERIAL(7:0)								
0x45	SERIAL(15:8)								
0x46	SERIAL(23:16)								
0x47	SERIAL(31:24)								
0x48	OFF_ABZ(19:12)								
0x49	OFF_ABZ(27:20)								
0x4A	OFF_ABZ(35:28)								
0x4B	OFF_UVW(3:0)				RESERVED				
0x4C	OFF_UVW(11:4)								
0x4D	PRES_POS(3:0)				RESERVED				
0x4E	PRES_POS(11:4)								
0x4F	PRES_POS(19:12)								
0x50	PRES_POS(27:20)								
0x51	PRES_POS(35:28)								
0x52	SPO_0(3:0)				SPO_BASE(3:0)				
0x53	SPO_2(3:0)				SPO_1(3:0)				
0x54	SPO_4(3:0)				SPO_3(3:0)				
0x55	SPO_6(3:0)				SPO_5(3:0)				
0x56	SPO_8(3:0)				SPO_7(3:0)				
0x57	SPO_10(3:0)				SPO_9(3:0)				
0x58	SPO_12(3:0)				SPO_11(3:0)				
0x59	SPO_14(3:0)				SPO_13(3:0)				
0x5A	RPL_RESET(7:0)								
0x5B	I2C_DEV_START(7:0)								
0x5C	I2C_RAM_START(7:0)								
0x5D	I2C_RAM_END(7:0)								
0x5E	I2C_DEVID(7:0)								
0x5F	I2C_RETRY(7:0)								
0x60 ... 0x6F	USER_EXCHANGE_REGISTERS								
0x70 0x71 0x72	RESERVED								
0x73	EVENT_COUNT(7:0)								
0x74	HARD_REV(7:0)								
0x75	CMD_MU(7:0)								
0x76	STATUS0(7:0)								
0x77	STATUS1(7:0)								
0x78	DEV_ID(7:0)								
0x79	DEV_ID(15:8)								

iC-MU200 MAGNETIC OFF-AXIS POSITION ENCODER - POLE WIDTH 2.00MM



Rev A3, Page 53/66

Static part: Addresses 0x40-0xBF								
Addr. SER	Bit 7	Bit 6	Bit 5	Bit 4	Bit 3	Bit 2	Bit 1	Bit 0
0x7A	DEV_ID(23:16)							
0x7B	DEV_ID(31:24)							
0x7C	DEV_ID(39:32)							
0x7D	DEV_ID(47:40)							
0x7E	MFG_ID(7:0)							
0x7F	MFG_ID(15:8)							
0x80*	CRC16(7:0)							
0x81*	CRC16(15:8)							
0x82*	CRC8(7:0)							
0x83*	RESERVED							
...								
0xBF*								

*) Access on address space SER > 0x7F only via SPI interface possible

Table 97: Register mapping bank 0-31, addresses 0x40-0xBF (access via serial interface)

The current iC-MU Series chip type and hardware revision can be read out through HARD_REV. The upper nibble indicates the chip type (iC-MU = 0b0000, iC-MU150 = 0b0001, iC-MU200 = 0b0010), and the lower nibble indicates the hardware revision.

HARD_REV(7:0) Addr. SER: 0x74; bit 7:0	
Code	Chip Type and Revision
0x02	iC-MU 0
0x03	iC-MU 1
0x04	iC-MU Z
0x05	iC-MU Y
0x06	iC-MU Y1
0x07	iC-MU Y2/Y2H
0x10	iC-MU150 0
0x11	iC-MU150 1
0x20	iC-MU200 0

Table 98: HARD_REV

Address sections/Register protection level

Register access can be restricted via RPL (see Table 99). RPL = 0x2/0x3 selects a shipping mode with limited access which can be set back to RPL = 0x0. To set back RPL the content of Bank: 0, Addr. SER: 0x17 has to be written to RPL_RESET.

RPL(1:0) Addr. 0x17; bit 7:6		
Code	Mode	Access restriction
0x0	Configuration mode, no restrictions	RP0
0x1	Shipping mode, without command I2C_COM, reset is not possible	RP1
0x2	Shipping mode, with command I2C_COM, reset to RP0 possible	RP1
0x3	Shipping mode, without command I2C_COM, reset to RP0 possible	RP1

Table 99: Register access control

RPL_RESET(7:0) Addr. SER:0x5A; bit 7:0	
Code	Description
0x00	Set back value for RPL
...	
0xFF	

Table 100: Set back value for RPL

Sections CONF, EDS and USER are protected at different levels in shipping mode for read and write access (see Figure 51).

RPL(1:0) Addr. 0x17; bit 7:6				
RPL*	Section	CONF	EDS	USER
RP0		r/w	r/w	r/w
RP1		n/a	r	r/w
Note	*) RPL: Register Protection Level n/a: iC-MU200 denies access to those register addresses r: Registers are readable w: Registers are writeable			

Table 101: Register Read/Write Protection Levels

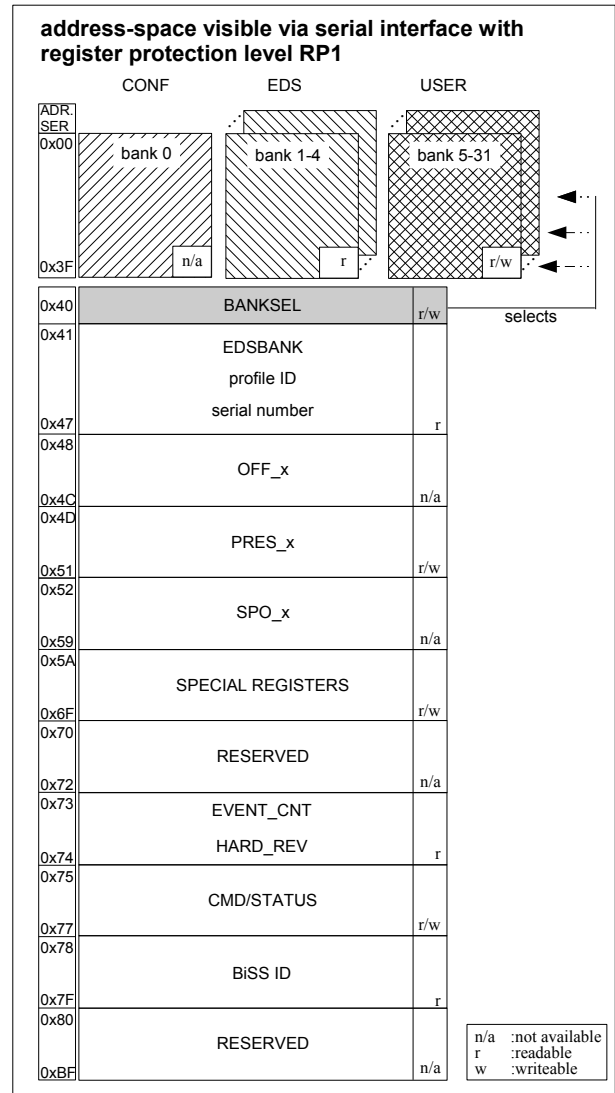


Figure 50: Principle of bank-wise memory addressing and access restrictions with register protection level RP1

Overview Register access: memory mapping, Register protection levels

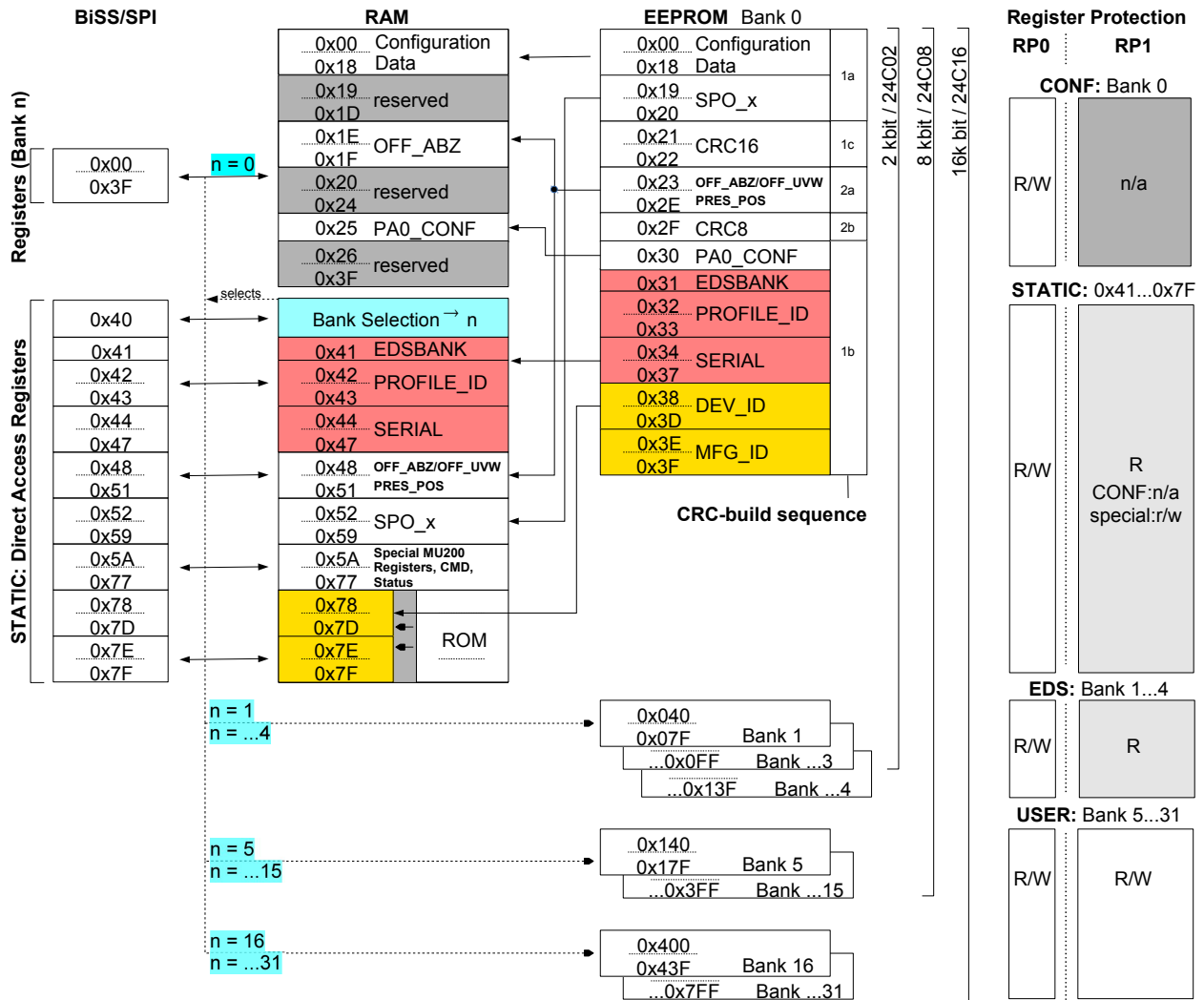


Figure 51: Register access with memory mapping

STATUS REGISTER AND ERROR MONITORING

Status register

Various Status-information can be read out via status bytes STATUS0 and STATUS1.

STATUS0(7:0)		Addr. SER: 0x76; bit 7:0	R
Bit	Name	Description of status message	
4	STUP	Startup iC-MU200	
3	AN_MAX	Signal error*: clipping (nonius track)	
2	AN_MIN	Signal error*: poor level (nonius track)	
1	AM_MAX	Signal error*: clipping (master track)	
0	AM_MIN	Signal error*: poor level (master track)	
	Notes	Error indication logic: 1 = true, 0 = false, * for signal thresholds see elec. char. no. 508 and 509	

Table 102: Status register 0

Status bit **STUP** indicates that one or multiple of the following conditions apply during the startup routine:

- An I2C communication or CRC error occurred (ABZ/UVW engine is stopped, reset with ABS_RESET)
- The amplitude of the master track is too low and ACRM_RES = 1 (ABZ/UVW engine is stopped, reset when the master track amplitude is sufficient again)
- The multiturn interface is active and communication fails or the SSI error bit is active

STATUS1(7:0)		Addr. SER: 0x77; bit 7:0	R
Bit	Name	Description of status message	
7	CRC_ERR	Invalid check sum internal RAM	
6	EPR_ERR	I2C communication error: - No EEPROM - I2C communication error	
5	MT_ERR	Multiturn communication error: - MTD line not 1 when trying to read MT data - MTD line is not 0 right after the last clock pulse - SSI error bit active on MT interface*	
4	MT_CTR	Multiturn data consistency error: counted multiturn ↔ external MT data	
3	NON_CTR	Period counter consistency error: counted period ↔ calculated Nonius position	
2	FRQ_ABZ	Excessive signal frequency for ABZ-converter	
1	FRQ_CNV	Excessive signal frequency for internal 12-bit converter	
0	CMD_EXE	Command execution in progress	
	Notes	Error indication logic: 1 = true, 0 = false * ESSI_MT = 0x1 or 0x3	

Table 103: Status register 1

ACC_STAT configures, if the status registers show the actual or the accumulated status information.

If the accumulated status is configured, the status bits are maintained until the status register is read out or

the command ABS_RESET or SOFT_RESET are executed. This is valid except for EPR_ERR, STUP and CMD_EXE. These bits are set in the status register independent of the ACC_STAT configuration while the status information is active. The status register can be accessed independently of the internal operating state.

ACC_STAT		Addr. 0x0D; bit 7
Code	Description	
0	Output of actual status information	
1	Output of accumulated status information	

Table 104: Output configuration of status register

Note:

A read access to the reserved addresses SER: 0x3D and 0x3E also clears the accumulated status information STATUS0 and STATUS1 if ACC_STAT is set to 1.

Error and warning bit configuration

The output and the polarity of the error and warning bit within the different serial protocols (MODEA Table 34) can be found in Table 105. Messages are allocated to the error and warning bit by parameter CFGEW according to Table 106.

MODEA(2:0)	Addr. 0x0B; bit 2:0				
	Function	Error		Warning	
		low active	high active	low active	high active
SPI	-	-	-	-	-
BiSS	x	-	-	x	-
SSI	-	-	-	-	-
SSI+ERRL	x	-	-	-	-
SSI+ERRH	-	x	-	-	-
ExtSSI	x	-	-	x	-

Table 105: MODEA: error/warning-bit within serial protocols

CFGEW(7:0) Addr. 0x0C; bit 7:0	
Bit	Visibility for error bit
7	MT_ERR/MT_CTR
6	NON_CTR
5	Ax_MAX and Ax_MIN
4	EPR_ERR
3	CRC_ERR
2	CMD_EXE
Bit	Visibility for warning bit
1	FRQ_CNV/FRQ_ABZ
0	Ax_MAX and Ax_MIN
Notes	x = M, N Encoding: 0 = message enabled, 1 = message disabled

Table 106: Error and warning bit configuration

If an error pin is configured using parameter MODEB (Table 35), an internal error (see status register, ACC_STAT configuration and error bit configuration with CFGEW) is reported by pulling the NER pin (PB3) against VND. In that case pin PB3 is an open-collector output. With devices featuring open-drain alarm outputs a wired-or bus logic can be installed. The minimum message time for I/O pin NER can be set by EMTD.

EMTD(2:0) Addr. 0x0D; bit 2:0			
Code	min. disp. time	Code	min. disp. time
0x0	0 ms	0x4	50 ms
0x1	12.5 ms	0x5	62.5 ms
0x2	25 ms	0x6	75 ms
0x3	37.5 ms	0x7	87.5 ms

Table 107: Minimum error display time

COMMAND REGISTER

An implemented command is executed depending on the written data value.

CMD_MU(7:0)		Addr. SER: 0x75; bit 7:0	W
Code	Command	Explanation	
0x00	reserved	no function	
0x01	WRITE_ALL	Write internal configuration and Offset values to EEPROM	
0x02	WRITE_OFF	Write internal Offset values to EEPROM	
0x03	ABS_RESET	Reset of Absolute value (including ABZ-part), takes typ. 10 ms	
0x04	NON_VER	Verification of actual position by doing a nonius calculation	
0x05	MT_RESET	New read in and synchronization of multiturn value	
0x06	MT_VER	Read in of multiturn and verification of counted multiturn value	
0x07	SOFT_RESET	startup with read in of EEPROM	
0x08	SOFT_PRES	Set output to preset	
0x09	SOFT_E2P_PRES	Set output to preset and save offset values to EEPROM	
0x0A	I2C_COM	start I2C communication	
0x0B	EVENT_COUNT	increment event counter by 1	
0x0C	SWITCH	Writes all configurations parameters without offsets to EEPROM. MODEA/RPL will be exchanged with MODEA_NEW/RPL_NEW during write operation	
0x0D	CRC_VER	Verification of CRC16 and CRC8	
0x0E	CRC_CALC	Recalculate internal CRC16 and CRC8 values	
0x0F	SET_MTC	Set MTC-Pin *)	
0x10	RES_MTC	Reset MTC-Pin *)	
0x11	reserved	no function	
0x12	MODEA_SPI	set serial interface to SPI (MODEA = 0x0)	
0x13	ROT_POS	invert code direction for Incremental Output Signals and Serial Interface	
0x14	ROT_POS_E2P	invert code direction for Incremental Output Signals and Serial Interface and save this configuration to EEPROM	
0x15 ...0xFF	reserved	no function	
Note:	*) MODE_MT=0x00		

Table 108: Implemented commands

WRITE_ALL stores the internal configuration and offset/preset values to the EEPROM. CRC16 and CRC8 are automatically updated.

WRITE_OFF only stores the offset/preset data area to the EEPROM. CRC8 is automatically updated.

Command **ABS_RESET** initiates a redefinition of the absolute value. A new nonius calculation is started. If a multiturn is configured, this is read in and synchronized. Offset values OFF_ABZ/OFF_UVW are amended to include the ST period and MT information and are stored as OFF_POS and OFF_COM. The ABZ/UVW converter is restarted.

Command **NON_VER** initiates a nonius calculation and the computed value is compared to the current counted period. If there is a discrepancy, error bit NON_CTR is set in status register STATUS1.

With command **MT_RESET** an external multiturn is read in anew and synchronized. Offset values OFF_ABZ and OFF_UVW are changed to include the newly read-in multiturn data and stored as OFF_POS and OFF_COM.

Attention:

The ABZ/UVW converter is not restarted automatically with the command **MT_RESET**. If part of the multiturn data is used for the singleturn information, **ABS_RESET** has to be executed additionally.

With command **MT_VER** an external multiturn is read in and the counted multiturn value is verified. If there is a discrepancy, error bit MT_CTR is set in status register STATUS1.

With command **SOFT_RESET** internal finite state machines and counters are reset. The EEPROM is read

in anew. A redefinition of the absolute value is initiated (see **ABS_RESET**)

Command **SOFT_PRES** initiates a preset sequence (cf. page 62) with preset values PRES_POS. The internal offset values OFF_ABZ are changed to set the output value to the value given by PRES_POS. The internal CRC8 is automatically updated.

Command **SOFT_E2P_PRES** initiates a preset sequence (cf. page 62) with preset values PRES_POS. The altered offset values OFF_ABZ are stored in the EEPROM. CRC8 is automatically updated.

Command **I2C_COM** initiates communication with a I2C device (RPL=0x00 and 0x02). Prior to this the following parameters must be configured:

- I2C_DEVID
- I2C_RAM_START
- I2C_RAM_END
- I2C_DEV_START

The device ID is written to I2C_DEVID (see Table 109). If an error occurs while communicating with an external I2C device up to 3 new communication attempts are started by iC-MU200.

I2C_RAM_START defines the start address in the internal RAM which in case of a

- write access: marks the begin of the data area that holds the data to be written
- read access: marks the begin of the data area where the data read from the I2C device is written to

According to this I2C_RAM_END defines the end address of the data area in the internal RAM. The number of bytes NUM_BYTES to be read/written is determined as I2C_RAM_END - I2C_RAM_START + 1 (if the I2C_RAM_END and I2C_RAM_START address are identical 1 byte is read/written).

I2C_DEV_START defines the start address of the I2C device from which NUM_BYTES bytes should be read/written.

The USER_EXCHANGE_REGISTERS (see Table 97) can be used for the data-exchange with the I2C device.

I2C_DEVID(7:0) Addr. SER:0x5E; bit 7:0	
Code	Meaning
0xA0	write EEPROM
0xA1	read EEPROM
0xC0	write to iC-PVL (status/commands)
0xC1	read from iC-PVL (status/commands)
Note:	I2C_DEVID needs to include the I2C read/write bit.

Table 109: Examples of I2C Device IDs

I2C_RAM_START Addr. SER: 0x5C; bit 7:0	
Code	Description
0x00	I2C-RAM start address
...	
0xFF	

Table 110: I2C-RAM start address

I2C_RAM_END Addr. SER: 0x5D; bit 7:0	
Code	Description
0x00	I2C-RAM end address
...	
0xFF	

Table 111: I2C-RAM end address

I2C_DEV_START Addr. SER: 0x5B; bit 7:0	
Code	Description
0x00	I2C device start address
...	
0xFF	

Table 112: I2C device start address

With command **EVENT_COUNT** the value of register EVENT_COUNT is incremented by 1.

EVENT_COUNT(7:0) Addr. SER:0x73; bit 7:0	
Code	Description
0x0	Event counter
...	
0xFF	

Table 113: Event counter

The command **SWITCH** makes it possible to write configurations of MODEA and RPL into the EEPROM which inhibit further register communications (e.g. MODEA=ABZ).

Note: RPL must be set to 0x0 before starting the command.

MODEA_NEW and RPL_NEW are used to set the target configuration of MODEA and RPL (e.g. ABZ, no RPL). On executing the command SWITCH MODEA

and RPL are set to the target values and the configuration without the offsets is written to the EEPROM. Finally MODEA and RPL are set back to the original values. This makes it possible to control the success of the EEPROM write process by reading STATUS1 (EPR_ERR should not be set).

Note: CRC_ERR is set after command execution if there is the cyclic CRC check configured by NCHK_CRC=0 and the target values of MODEA and RPL differ from the originals values.

iC-MU200 starts with the interface and register protection level configured with MODEA_NEW and RPL_NEW after the next startup or after the execution of command SOFT_RESET.

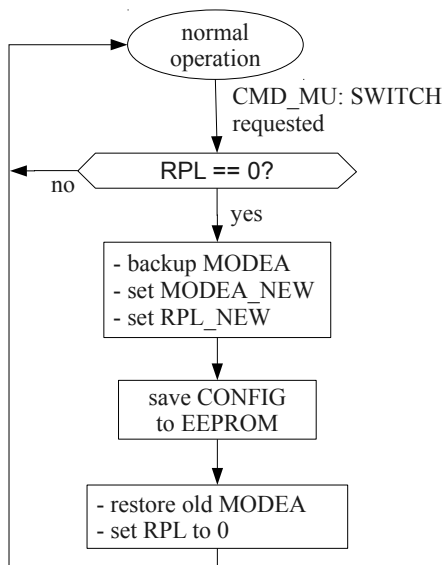


Figure 52: Event sequence of command SWITCH

Note: The SWITCH command should always be executed as the last command after all other configurations have been finished and stored to the EEPROM. Otherwise the values set by RPL_NEW and MODEA_NEW will be overwritten again by the actual RPL and MODEA values, defeating the purpose of the SWITCH command.

If the SWITCH command is used with an empty EEPROM, the WRITE_OFF command needs to be executed in addition to properly initialize the OFFSET/PRESET area CRC8.

MODEA_NEW		Addr. SER: 0x60; bit 2:0			
Code	PA0	PA1	PA2	PA3	Function
0x0	NCS	SCLK	MOSI	MISO	SPI _{TR1}
0x1	NCS	SCLK	MOSI	MISO	SPI
0x2	NPRES	MA	SLI	SLO	BiSS
0x3	NPRES	A	B	Z	ABZ
0x4	NPRES	MA	SLI	SLO	SSI
0x5	NPRES	MA	SLI	SLO	SSI+ERRL
0x6	NPRES	MA	SLI	SLO	SSI+ERRH
0x7	NPRES	MA	SLI	SLO	ExtSSI

Table 114: Target value of MODEA for the command SWITCH

RPL_NEW		Addr. SER: 0x60; bit 7:6	
Code	Registerprotection	Command I2C_COM	Reset to RP0 possible
0x0	RP0	x	x
0x1	RP1	-	-
0x2	RP1	x	x
0x3	RP1	-	x

Table 115: Target value for RPL for the command SWITCH

Command **CRC_VER** starts a verification of CRC16 and CRC8. In case of an crc error, the CRC_ERR status bit is set.

Command **CRC_CALC** starts a recalculation of CRC16 and CRC8. CRC16 and CRC8 are saved internally in iC-MU200 and are used for later CRC verifications.

The command **SET_MTC** sets pin MTC to logic level 1. **RES_MTC** resets pin MTC to logic level 0. iC-MU200 saves the actual logic level of pin MTD to MTD_STATUS before it sets or resets pin MTC. To use these commands MODE_MT has to be set to 0x0, i.e. no external multiturn is configured.

MTD_STATUS		Addr. SER: 0x60; bit 0
Code	Description	
0	MTD Pin was 0, before setting/resetting MTC	
1	MTD Pin was 1, before setting/resetting MTC	

Table 116: Status of pin MTD before command execution SET_MTC and RES_MTC

MODEA_SPI forces the serial interface to use the SPI protocol by setting MODEA = 0x0 (see P.28).

ROT_POS inverts the code direction of the serial interface in MODE_ST = 0x0 and 0x1 and the incremental output ABZ, Step/Direction and CW/CCW by setting/resetting bit ROT_POS (see P.30).

ROT_POS_E2P inverts the code direction of the serial interface in `MODE_ST = 0x0` and `0x1` and the incremental output ABZ, Step/Direction and CW/CCW by setting/resetting bit `ROT_POS` (see P.30). `ROT_POS` is stored in the EEPROM and CRC8 is automatically updated.

Configurable NPRES Pin

A configurable NPRES pin can be used at pin PA0 if `MODEA` is set to `0x2-0x7`. This pin can be used to execute a command configured by `PA0_CONF` on a falling edge of NPRES.

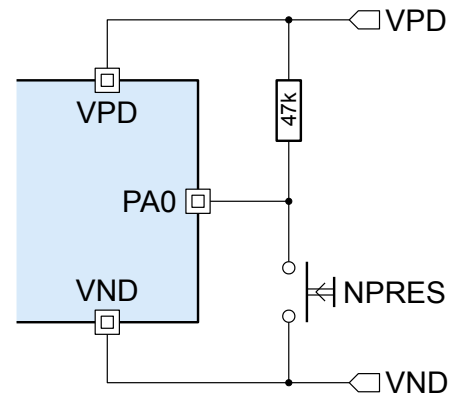


Figure 53: External circuitry for NPRES functionality

PA0_CONF(7:0) Addr. 0x30; bit 7:0	
PA0_CONF(7:0) Addr. SER: 0x25; bit 7:0 Bank 0	
Code	Command
0x00	no function
0x01	WRITE_ALL
0x02	WRITE_OFF
0x03	ABS_RESET
0x04	NON_VER
0x05	MT_RESET
0x06	MT_VER
0x07	SOFT_RESET
0x08	SOFT_PRES
0x09	SOFT_E2P_PRES
0x0A	I2C_COM
0x0B	EVENT_COUNT
0x0C	SWITCH
0x0D	CRC_VER
0x0E	CRC_CALC
0x0F	SET_MTC
0x10	RES_MTC
0x11	no function
0x12	MODEA_SPI
0x13	ROT_POS
0x14	ROT_POS_E2P
...0xFF	no function

Table 117: Command to be executed on falling edge of NPRES

POSITION OFFSET VALUES AND PRESET FUNCTION

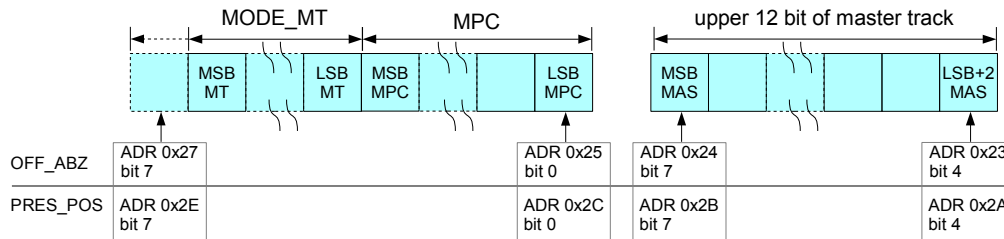


Figure 54: Position of the parameters OFF_ABZ and PRES_POS with respect to configured multiturn (MODE_MT), periods (MPC) and converter resolution

OFF_ABZ holds the position offset values stored in the EEPROM. After startup or the commands SOFT_RESET and ABS_RESET the OFF_ABZ values are amended to include the nonius data and the multiturn data (in case an external multiturn is configured) and stored as OFF_POS in the internal RAM. Value OFF_POS is subtracted with each conversion from the internally synchronized result. OFF_ABZ is not affected by the RESABZ parameter.

Preset function

The preset function corrects the output position value of the ABZ, SPI, or BiSS interface to the setpoint given by PRES_POS. Correction is initiated by writing command SOFT_PRESET or SOFT_E2P_PRESET to the command register (see page 58), or, if one of these commands is configured with PA0_CONF as NPRES command at PA0 pin, by a falling edge at PA0. See Table 34 for configuration of NPRES and Table 117 for PA0_CONF.

OFF_ABZ(3:0)	Addr. 0x23; bit 7:4	
OFF_ABZ(11:4)	Addr. 0x24; bit 7:0	
OFF_ABZ(19:12)	Addr. 0x25; bit 7:0	
OFF_ABZ(27:20)	Addr. 0x26; bit 7:0	
OFF_ABZ(35:28)	Addr. 0x27; bit 7:0	
OFF_ABZ(3:0)	Addr. SER:0x1E; bit 7:4	Bank0
OFF_ABZ(11:4)	Addr. SER:0x1F; bit 7:0	Bank0
OFF_ABZ(19:12)	Addr. SER:0x48; bit 7:0	
OFF_ABZ(27:20)	Addr. SER:0x49; bit 7:0	
OFF_ABZ(35:28)	Addr. SER:0x4A; bit 7:0	
Code	Description	
0x00000000	Offset position relative to absolute position	
...		
0xFFFFFFFF		

Table 118: Output offset position, relative to absolute position

OFF_POS(19:12)	Addr. SER:0x20; bit 7:0	Bank0, R
OFF_POS(27:20)	Addr. SER:0x21; bit 7:0	Bank0, R
OFF_POS(35:28)	Addr. SER:0x22; bit 7:0	Bank0, R
Code	Description	
0x00000000	Offset (is automatically computed)	
...		
0xFFFFFFFF		

Table 119: Output position offset amended by the nonius/MT

PRES_POS(3:0)	Addr. 0x2A; bit 7:4
PRES_POS(11:4)	Addr. 0x2B; bit 7:0
PRES_POS(19:12)	Addr. 0x2C; bit 7:0
PRES_POS(27:20)	Addr. 0x2D; bit 7:0
PRES_POS(35:28)	Addr. 0x2E; bit 7:0
PRES_POS(3:0)	Addr. SER:0x4D; bit 7:4
PRES_POS(11:4)	Addr. SER:0x4E; bit 7:0
PRES_POS(19:12)	Addr. SER:0x4F; bit 7:0
PRES_POS(27:20)	Addr. SER:0x50; bit 7:0
PRES_POS(35:28)	Addr. SER:0x51; bit 7:0
Code	Description
0x00000000	Preset position
...	
0xFFFFFFFF	

Table 120: Output position preset

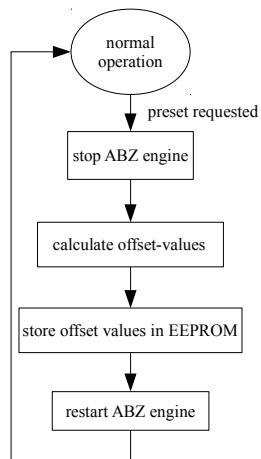


Figure 55: Preset sequence using command
SOFT_E2P_PRES

DESIGN REVIEW: Notes On Chip Functions

iC-MU200 0		
No.	Function, Parameter/Code	Description and Application Notes
1	SPI interface (MODEA = 0x0, 0x1), Read/Write REGISTER(single) with access to EEPROM	SPI command sequence as in Figure 32. The end of a Read/Write REGISTER(single) command to an EEPROM address can be detected by checking the status bit BUSY. Register Status/Data and SPI-STATUS change from 0x02 (Busy) to 0x00. The status bits VALID/FAIL are without functionality. A successful I ² C communication between iC-MU and the EEPROM can be checked via STATUS1 flag EPR_ERR = 0.
2	SSI interface Gray coded MODEA = 0x4; GSSI = 0x1; OUT_ZERO = 0x0	The level of the SSI output pin (signal SLO) can be "1" or "0" during timeout t_{out} (see Figure 5). Therefore, a SSI timeout may not be detected by a SSI master in all cases. To obtain a reliable SSI timeout set parameter OUT_ZERO = 0x1 (includes a zero bit after position data) and send an additional clock pulse.
3	SSI interface Gray coded with error bit MODEA = 0x5 or 0x6; GSSI = 0x1; OUT_ZERO = 0x0	Conversion of the SSI position data into Gray code requires following procedure: By setting parameter OUT_ZERO = 0x1 (includes a zero bit after position data) and sending an additional clock pulse and subsequently ignoring the additional ZERO bit, the singleturn data is converted correctly into Gray code.
4	Multiturn system - Using iC-MU200 and iC-PVL with a shared EEPROM	When iC-MU200 and iC-PVL share an EEPROM for configuration in a multiturn set-up, special care is required to configure iC-MU200 on the initial startup of the system when iC-PVL also tries to read its configuration from the EEPROM. Once iC-PVL is configured and connected to a backup power source via pin VBAT, it no longer tries to read the EEPROM on consecutive VDD power cycles. This allows the iC-MU200 to successfully configure itself on every VDD power cycle. For a reliable configuration of iC-MU200 via the EEPROM on the initial startup of such an iC-MU200 and iC-PVL based system (install backup power source → power on), it is recommended to either send a SOFT_RES command to iC-MU200, or to power cycle the system after the initial startup procedure. This causes the iC-MU200 to read in the configuration data from the EEPROM again.
5	Port A = BiSS, SSI, SSI+ERRL or SSI+ERRH (MODEA = 0x2, 0x4 to 0x7)	After power-up, the first position readout is shifted by one bit and should be discarded. To avoid this, either a clock pulse must be sent to initialize the serial interface or the potential at pin PA1 must be below 0.4V until the digital power supply VPD has exceeded 2.0V.
6	Restrictions on Nonius phase margin / analog offset	For the low Rth QFN48-7x7 package the specific mechanical properties and package stress on board can cause increased analogue offset within the Nonius track (in particular with lower quality targets with 64/63 pole pairs; parameter MPC= 0x6). A significantly reduced Nonius phase margin would be indicated by the iC-MU200 as a NON_CTR error. A NON_CTR error can cause an incorrect absolute position when the system is restarted. Due to its comparatively large distance between the On-Chip Hall sensors sufficient Nonius phase margin requires - besides high quality magnetic targets and mechanical adjustment - thorough initial calibration at mid or room temperature or a reduced operating temperature range. Safe operation can be determined e.g. by measuring the Nonius curve over the whole operating temperature range. For further information please request Application Note MU AN16 at support@ichaus.de.

Table 121: Notes on chip functions regarding iC-MU200 chip release 0

iC-MU200 MAGNETIC OFF-AXIS POSITION ENCODER - POLE WIDTH 2.00MM



Rev A3, Page 65/66

REVISION HISTORY

Rel.	Rel. Date ³	Chapter	Modification	Page
A1	2018-10-16		Initial Release	

Rel.	Rel. Date ³	Chapter	Modification	Page
A2	2019-12-20	ELECTRICAL CHARACTERISTICS	Item 205: correct value 500µm → 400µm	8
		OPERATING CONDITIONS: I/O Interface	SPI Interface: Updated operating conditions SPI interface Updated Figure 2	11
		PRINCIPLE OF MEASUREMENT	Corrected nonius track diameter in Table 6	13
		CONFIGURABLE I/O INTERFACE	Added information on analog mode output voltages to Table 35	28
		CONFIGURABLE I/O INTERFACE	Added information on MISO idle state = high in SPI mode	34
		CONFIGURABLE I/O INTERFACE	Updated Table 55	37
		MT INTERFACE	Updated 3 track system description	44
		INCREMENTAL OUTPUT ABZ, STEP/DIRECTION AND CW/CCW	Description of parameter SS_AB impact improved	48
		COMMAND REGISTER	Improved I2C_COM command description	59
		DESIGN REVIEW: Notes On Chip Functions	Added item 4 for iC-MU200 0	64
		DESIGN REVIEW: Notes On Chip Functions	Added item 5 for iC-MU200 0	64

Rel.	Rel. Date ³	Chapter	Modification	Page
A3	2020-04-08	DESCRIPTION	Removed BiSS-Disclaimer	2
		DESCRIPTION	Added Note on system responsibility	2
		THERMAL DATA	Updated: Rthja according to JESD51	7
		INCREMENTAL OUTPUT ABZ, STEP/DIRECTION AND CW/CCW	Corrected pole pitch in example calculation	46
		REGISTER ACCESS THROUGH SERIAL INTERFACE (SPI AND BISS)	Added note: Burst mode is not supported by iC-MU for write access to the registers.	50
		REGISTER ACCESS THROUGH SERIAL INTERFACE (SPI AND BISS)	Amended HARD_REV table with all iC-MU Series versions	53
		COMMAND REGISTER	Added Note on SWITCH command usage with an empty EEPROM	60
		DESIGN REVIEW: Notes On Chip Functions	Added item 6: Restrictions on Nonius phase margin / analog offset	64
		DESIGN REVIEW: Notes On Chip Functions	Minor corrections to the wording	64

iC-Haus expressly reserves the right to change its products and/or specifications. A Datasheet Update Notification (DUN) gives details as to any amendments and additions made to the relevant current specifications on our internet website www.ichaus.com/DUN and is automatically generated and shall be sent to registered users by email.

Copying – even as an excerpt – is only permitted with iC-Haus' approval in writing and precise reference to source.

The data specified is intended solely for the purpose of product description and shall represent the usual quality of the product. In case the specifications contain obvious mistakes e.g. in writing or calculation, iC-Haus reserves the right to correct the specification and no liability arises insofar that the specification was from a third party view obviously not reliable. There shall be no claims based on defects as to quality in cases of insignificant deviations from the specifications or in case of only minor impairment of usability.

No representations or warranties, either expressed or implied, of merchantability, fitness for a particular purpose or of any other nature are made hereunder with respect to information/specification or the products to which information refers and no guarantee with respect to compliance to the intended use is given. In particular, this also applies to the stated possible applications or areas of applications of the product.

iC-Haus products are not designed for and must not be used in connection with any applications where the failure of such products would reasonably be expected to result in significant personal injury or death (*Safety-Critical Applications*) without iC-Haus' specific written consent. Safety-Critical Applications include, without limitation, life support devices and systems. iC-Haus products are not designed nor intended for use in military or aerospace applications or environments or in automotive applications unless specifically designated for such use by iC-Haus.

iC-Haus conveys no patent, copyright, mask work right or other trade mark right to this product. iC-Haus assumes no liability for any patent and/or other trade mark rights of a third party resulting from processing or handling of the product and/or any other use of the product.

Software and its documentation is provided by iC-Haus GmbH or contributors "AS IS" and is subject to the ZVEI General Conditions for the Supply of Products and Services with iC-Haus amendments and the ZVEI Software clause with iC-Haus amendments (www.ichaus.com/EULA).

³ Release Date format: YYYY-MM-DD

iC-MU200 MAGNETIC OFF-AXIS POSITION ENCODER - POLE WIDTH 2.00MM



Rev A3, Page 66/66

ORDERING INFORMATION

Type	Package	Options	Order Designation
iC-MU200	48-pin QFN 7 x 7 mm	Pin compatible with iC-MU and iC-MU150	iC-MU200 QFN48-7x7

Please send your purchase orders to our order handling team:

Fax: +49 (0) 61 35 - 92 92 - 692
E-Mail: dispo@ichaus.com

For technical support, information about prices and terms of delivery please contact:

iC-Haus GmbH
Am Kuemmerling 18
D-55294 Bodenheim
GERMANY

Tel.: +49 (0) 61 35 - 92 92 - 0
Fax: +49 (0) 61 35 - 92 92 - 192
Web: <http://www.ichaus.com>
E-Mail: sales@ichaus.com

Appointed local distributors: http://www.ichaus.com/sales_partners